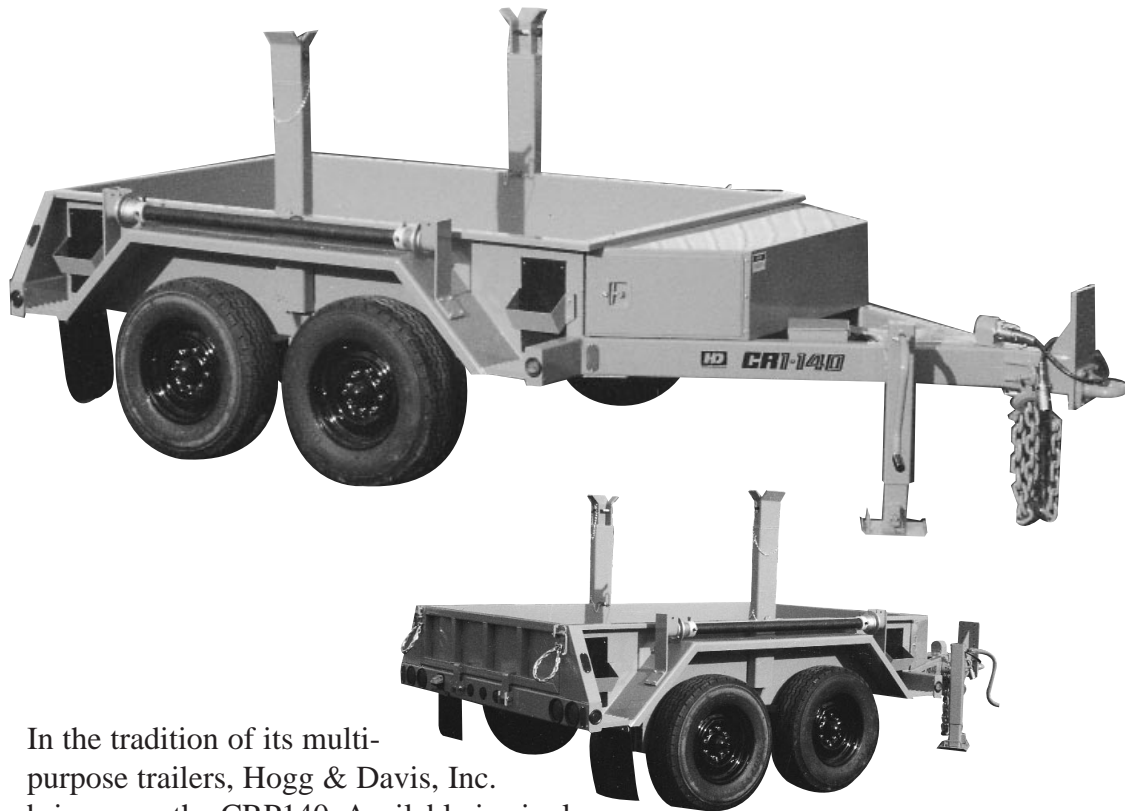




CRP140

Multi Purpose Dolly



In the tradition of its multi-purpose trailers, Hogg & Davis, Inc. brings you the CRP140. Available in single or multiple reel configurations, the CRP140 offers complete job support hauling capabilities. Optional pole bolsters add to its versatility to make it the only trailer you'll need. Its 14,000 lb. tandem axle design provides stable, smooth hauling. Its rugged 11 ga. formed steel sides provide solid protection against the banging and abuse cargo bodies endure. This one's built for the long haul.

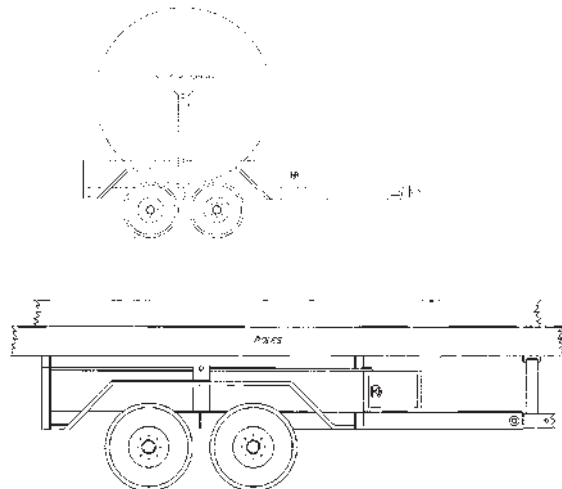
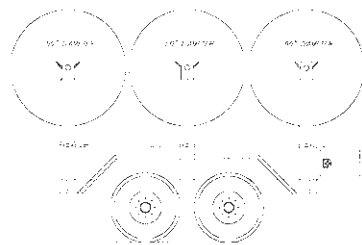
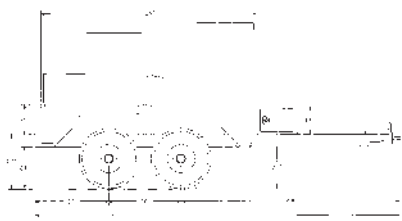


HOGG & DAVIS, Inc.

**Designers &
Manufacturers of
Line Construction
Equipment**

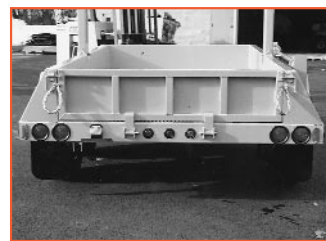
Multi Purpose Dolly

CRP140



General Specifications

- 14,000 GVWR Tandem Axle
- Slipper Spring Suspension
- 12v Electric Brake
- Height Adjustable Pintle Eye
- Drop-leg Swing-away Jack
- Cargo Area: 108" x 64" x 15" deep
- 4 D-rings Inside Cargo Area
- 7.5 cu. ft. Lockable Storage Box
- 1 pr. Removable Reel Stanchions w/ mandrel, cones (2) and collars (2)
- Pole Carrying Capabilities
- FMVSS 108 Compliance
- Heat Shrink Electrical Connectors
- Baked, Polyurethane Paint



Options

- Telescoping Tongue
- Additional Reel Stanchions
- Reel Brake / Retriever
- Reel Brake: 16" Bronze Disc w/ 30,000 lb. Caliper



In order that product improvement may be introduced at any time, specifications are subject to change without notice.



P.O. BOX 405
3800 EAGLE LOOP
ODELL, OR 97044
TEL (541) 354-1001
FAX (541) 354-1080
www.hoggdavis.com

DISTRIBUTED BY