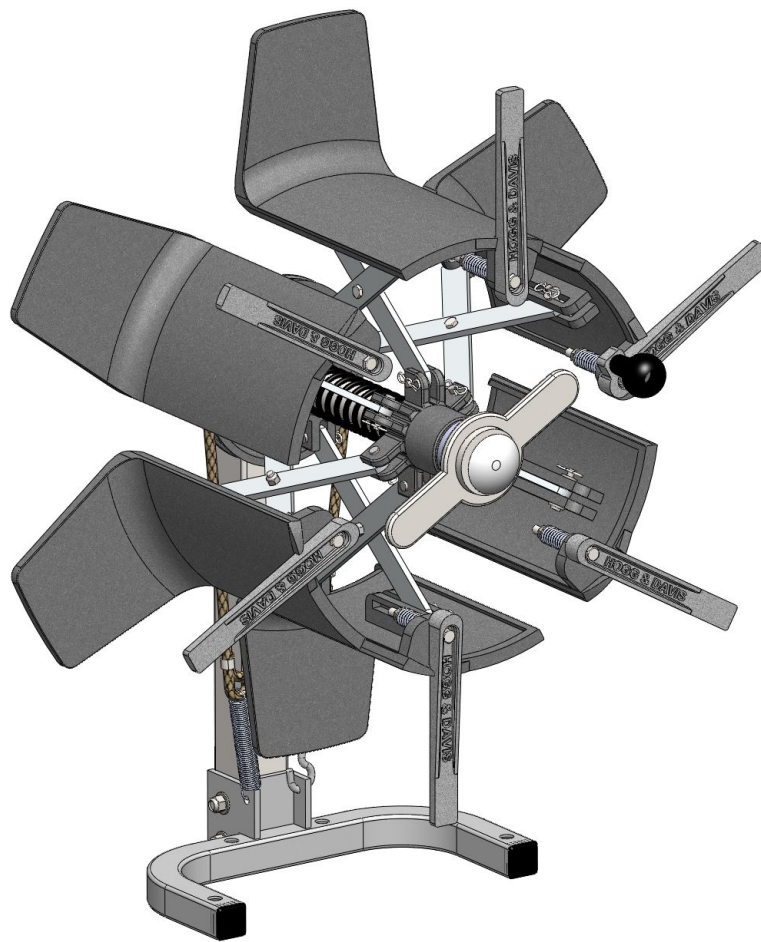


Expandable Pay-Out Reels



Stand will vary with model number



HOGG & DAVIS, Inc.

The information, specifications, and illustrations in this manual are on the basis of information available at the time it was written. The specifications, torque values, pressures of operation, measurements, adjustments, illustrations, and other items can change at any time. These changes can affect the service of the given product.

For the complete and most current information, contact:

Hogg & Davis, Inc
P.O. Box 405 / 3800 Eagle Loop
Odell, OR 97044-0405
541-354-1001
541-354-1080 Fax
www.hoggdavis.com



"Rugged Dependability."

COPYRIGHT 2007 HOGG & DAVIS, INC



Expandable Payout Reel

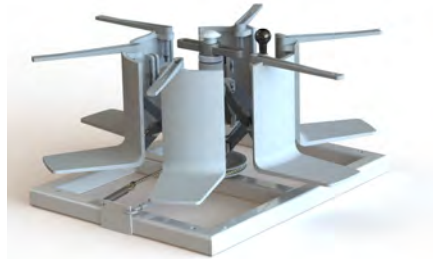


HOGG & DAVIS, Inc.

***Designers and
Manufacturers
of Line
Construction
Equipment***

RUGGED DEPENDABILITY

Expandable Payout Reel



This No. 81620 Expandable Payout Reel is designed to work in any position. Made of heat treated aluminum, these reels can be used singularly or mounted in any combination arrangement on a common stand to pay out multiple coils.

Loading is easily accomplished by folding the spring loaded fingers located on the outside of reel in position. The fingers will only fold in the right direction for use. The unique self-leveling scissor linkage is used to expand or contract the reel circumference to fit wire coils from 16" to 20" inside diameter and up to 10" wide.

The rope brake made to drag in one direction only ensures ease of rewinding, and assures even drag while paying out wire or cable. Overall width is 15". Can be mounted on a truck without using valuable needed space. Manufactured of heat treated aluminum.

FEATURES

- Self-leveling scissor linkage to expand or retract the reel circumference.
- Outside fingers, spring loaded, are designed to fold out of the way for easy loading of wire or cable.
- Rope brake, made to drag in one direction only, easily adjustable by linemen.
- Can be used in any combination arrangement on common stand to pay out multiple coils.
- Will accept wire coils from 16" to 20" inside diameter, and up to 10" in width
- Cast aluminum finish
- UPS shippable
- Single reel stand:
Weight: 53 lbs.
Height: 33-1/4"
Width: 27-1/2"
Depth: 18"

Product improvements may be introduced at any time, specifications are subject to change without notice.



HOGG & DAVIS, Inc.

**P.O.Box 405
3800 Eagle Loop
Odell, Oregon 97044
TEL(541)354-1001
FAX(541)354-1080**

**Visit us at
www.hoggdavis.com**

Table of Contents

Assembly Instructions	1
81620-2	2
81620-3	4
81620-5	6
81620-6	8
81620-7	10
81620-8	11



Expandable Pay-Out Reels

81620 Series Assembly Instructions

Hardware bag should contain
the following:

Qty	Item
1	(F) 1-3/8" Wing Nut
1	(E) 1-3/8" Thrust Bearing
1	(J) Plastic Ball Handle
1	(L) Allen Head Shoulder Bolt
1	(I) Rope Brake Assembly
1	(G) Shaft Cap w/ 3/8" Thread
1	(H) 2" Plastic Plug
2	(K) 1-1/4" Plastic Plug
1	(C) 1-3/8" ID, 3" OD UHMW Thrust Washer
2	3/8" x 3" NC Bolts
2	3/8" NC Nylon Locknuts
3	3/8" SAE Flat Washers

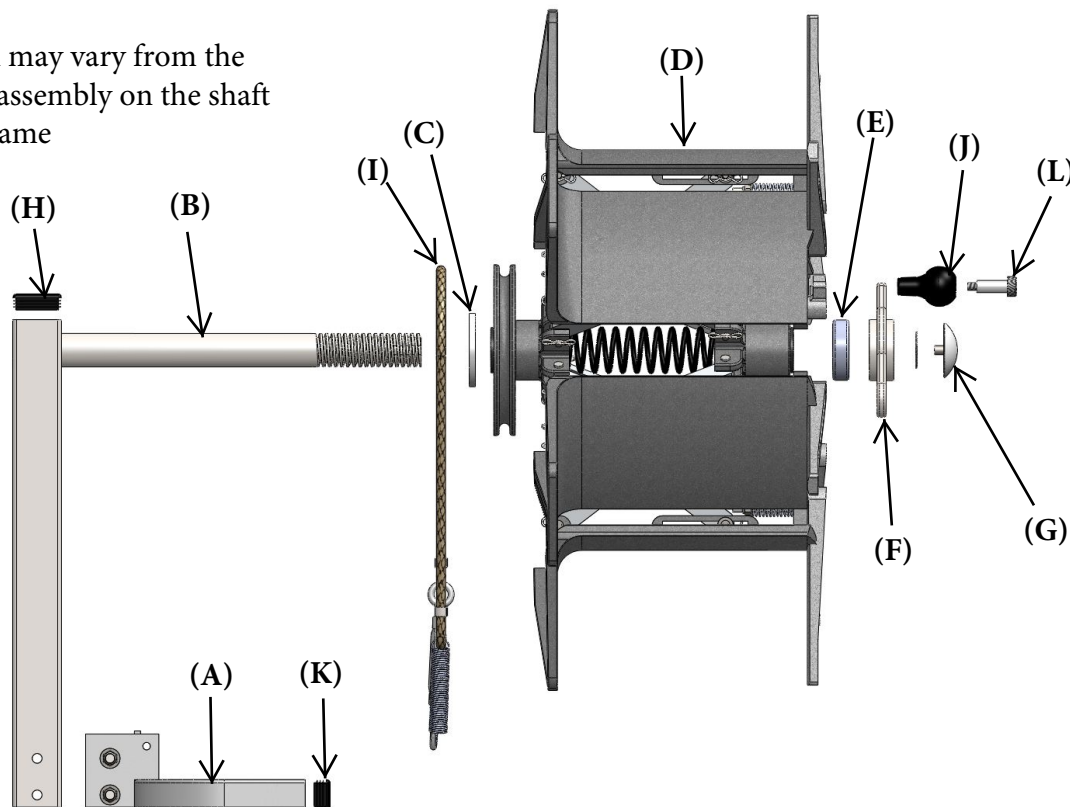
Make sure you have ALL parts before assembling.

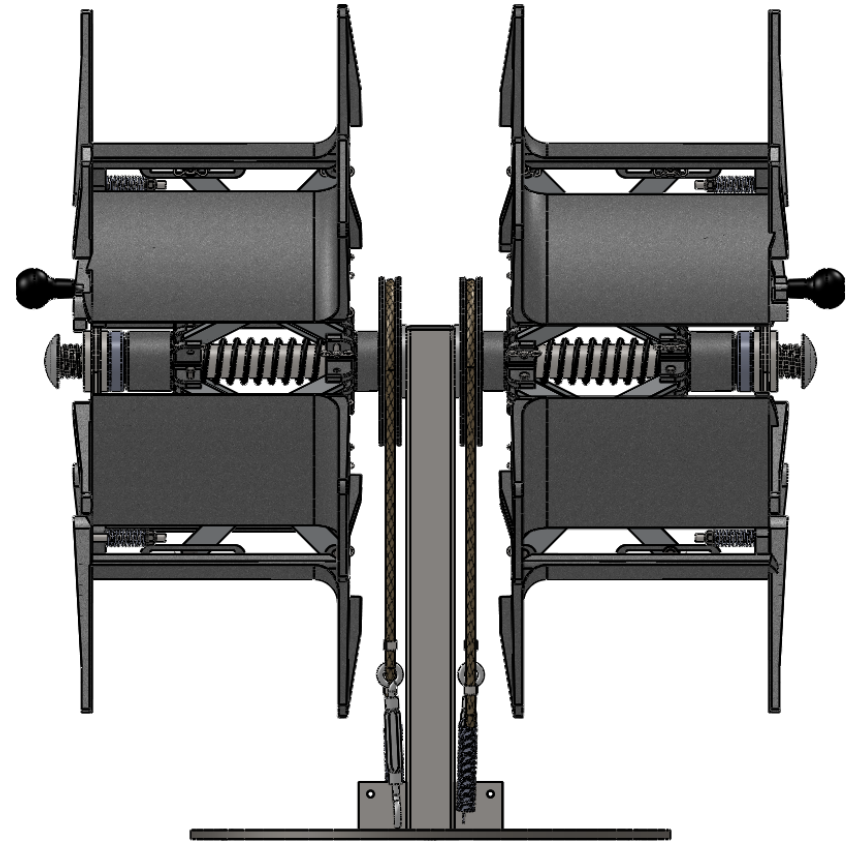
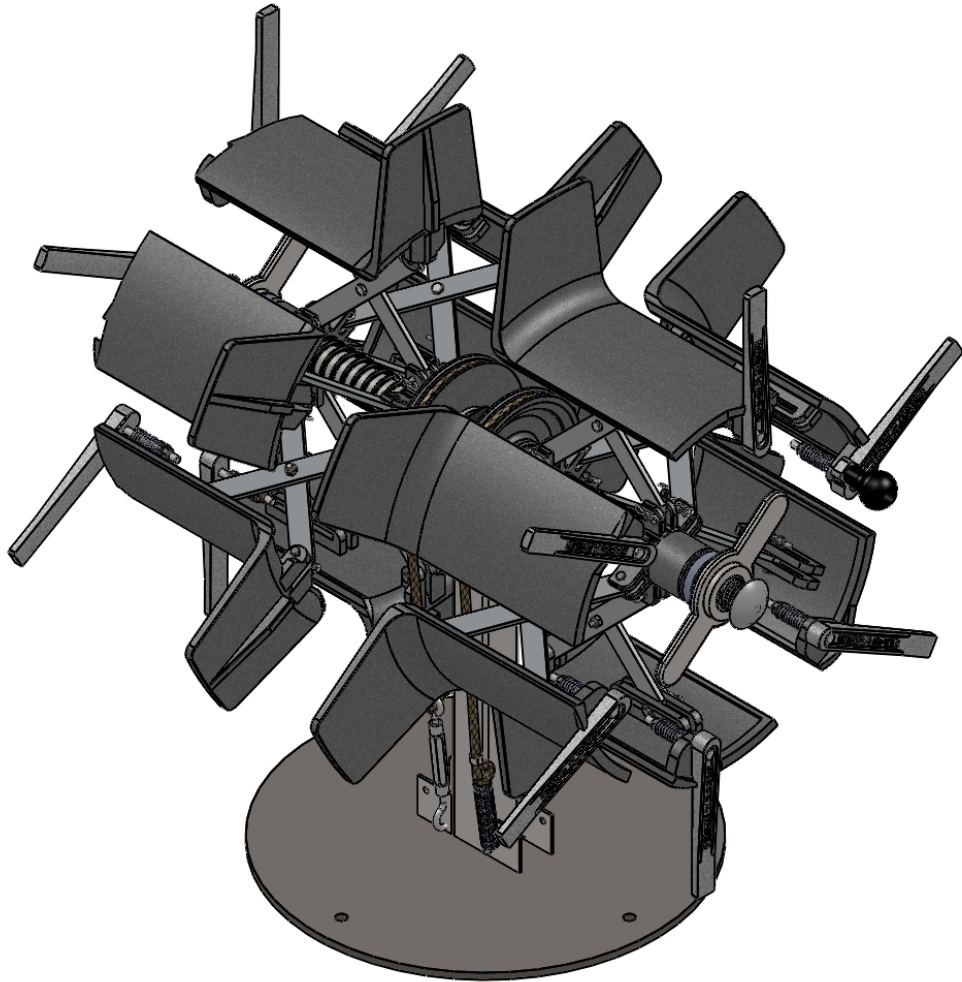
Report any shortages to the Factory.
(541) 354-1001

- STEP 1:** Bolt base assembly (A) and post (B) together using the 3/8" bolts, nuts and washers. Make sure post is square to base and tighten fasteners.
- STEP 2:** Slip UHMW thrust washer (C) over the shaft and slide all the way to the post.
- STEP 3:** Slide reel assembly (D) over the shaft. Pully should face the post. Push reel assembly tight against the UHMW washer.
- STEP 4:** Slide the 1-3/8" thrust bearing (E) over the shaft and against the front hub of the reel. Screw the 1-3/8" Wing nut (F) onto the shaft and against the bearing.
- STEP 5:** Screw shaft cap assembly (G) into end of shaft. Place plastic plugs (H)(K) into base tube ends and top of post tube. Install Plastic ball handle (J) with shoulder bolt (L).
- STEP 6:** Attach rope brake assembly (I) by laying over the pully and hooking turnbuckle and spring into the holes provided.

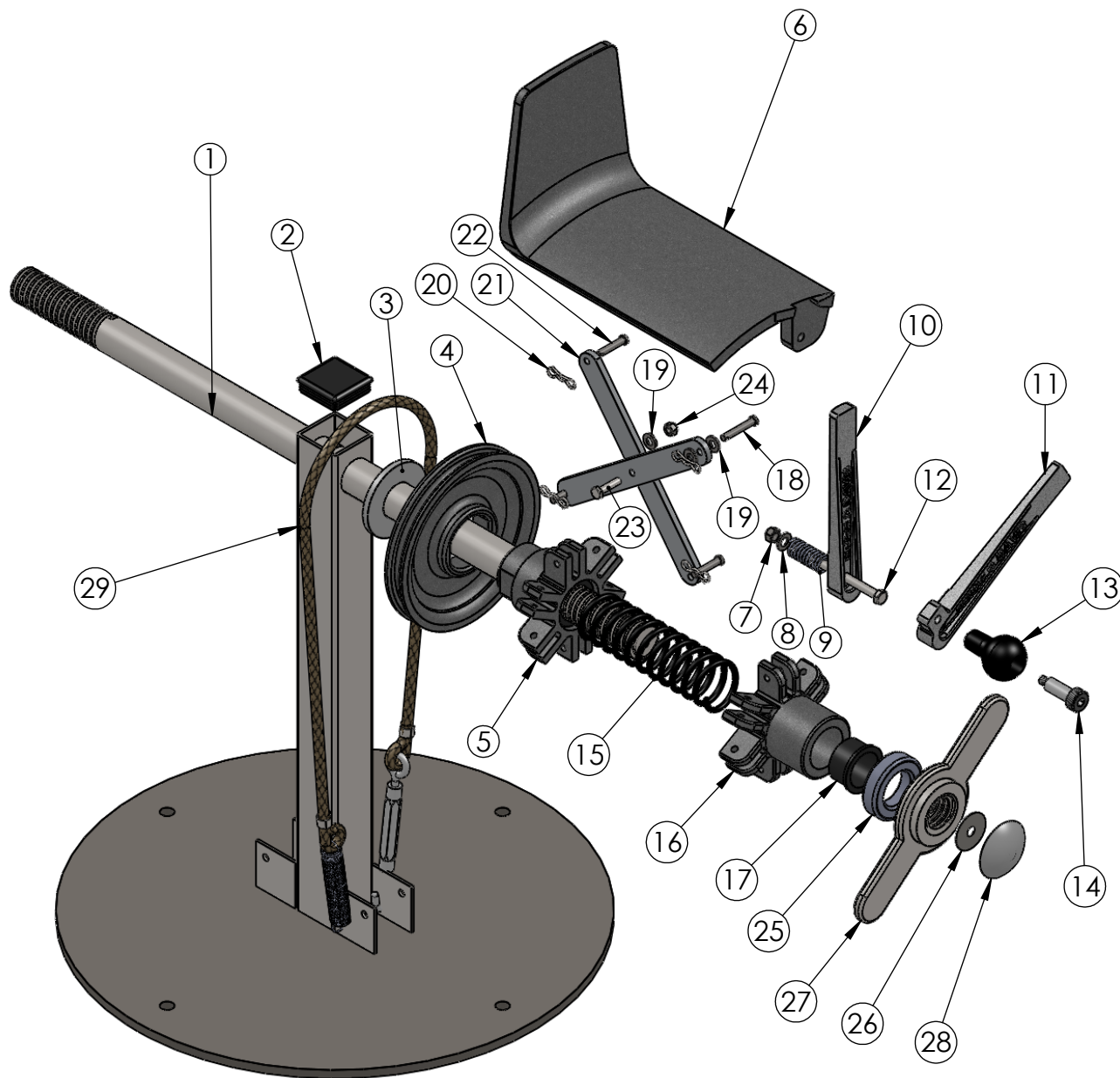
YOUR REEL IS NOW READY TO USE.

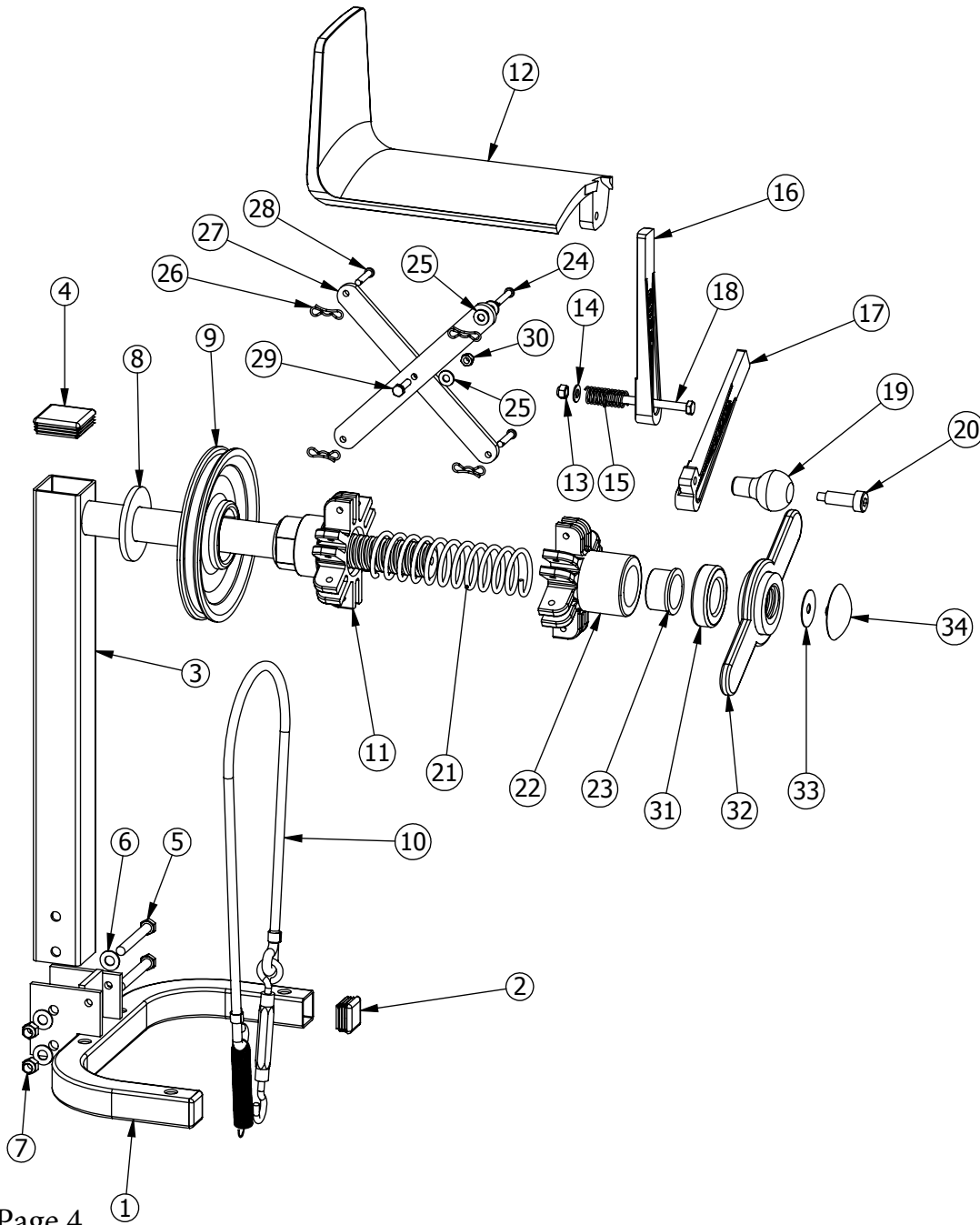
Your model may vary from the picture but assembly on the shaft will be the same





ITEM	PART NUMBER	DESCRIPTION	QTY.
1	S43990		1
2	C06036	Cap, Plug 2 x .095 wall	1
3	W01589	Washer, Thrust Nylon	2
4	P19025	Pully, Brake E.P.O.	2
5	H09015	Hub, Inner E.P.O.	2
6	S15040	Shoe, 8 x 10 E.P.O.	12
7	N04533	Nut Hex Nylock 5/16-18	12
8	W01235	Washer Flat SAE 5/16	12
9	S28075	Spring, Jackstand / E.P.O.	12
10	P14005	Post, 8" E.P.O.	10
11	P14010	Post, 8" with Ear E.P.O.	2
12	B11334	Bolt Hx head 5/16-18x3-1/2	12
13	K03010	Knob, Swiveling E.P.O.	2
14	B11165	5/8" x 2-3/4" Shoulder Bolt	2
15	S28065	Spring, Main E.P.O.	2
16	H09010	Hub, Outer E.P.O.	2
17	B07325	Bearing, I-Glide	8
18	P06020	Pin, Clevis 1/4x1-1/2 zinc	12
19	W01205	Washer Flat SAE 1/4	36
20	P06060	Pin, clip	48
21	S02905A	Scissor Assembly, Aluminum	12
22	P06015	Pin, Clevis 1/4x1-1/4 zinc	36
23	B11324	Bolt Hx head 1/4-20x1	12
24	N04523	Nut, Hex Nylock 1/4-20	12
25	B07260	Bearing, Thrust E.P.O.	2
26	W01345	Washer, 3/8" Body	2
27	N04111	Nut, Acme E.P.O.	2
28	C06170	Cap, EPO Hub	2
29	B16963A	Brake, Rope EPO	2





ITEM	PART NUMBER	DESCRIPTION	QTY.
1	B26000	Base, Expandable Payout Reel	1
2	C06030	Cap, Plug 1-1/4 x .095 wall	2
3	S43996	Shaft & Post, Standard E.P.O.	1
4	C06036	Cap, Plug 2 x .095 wall	1
5	B11015	Bolt Hx head 3/8-16x3	2
6	W01002	Washer Flat SAE 3/8	4
7	N04545	Nut Hex Nylock 3/8-16	2
8	W01589	Washer, Thrust Nylon	1
9	P19025	Pully, Brake E.P.O.	1
10	B16960A	Brake, Rope E.P.O	1
11	H09015	Hub, Inner E.P.O.	1
12	S15040	Shoe, 8 x 10 E.P.O.	6
13	N04533	Nut Hex Nylock 5/16-18	6
14	W01235	Washer Flat SAE 5/16	6
15	S28075	Spring, Jackstand / E.P.O.	6
16	P14005	Post, 8" E.P.O.	5
17	P14010	Post, 8" with Ear E.P.O.	1
18	B11334	Bolt Hx head 5/16-18x3-1/2	6
19	K03010	Knob, Swiveling E.P.O.	1
20	B11165	5/8" x 2-3/4" Shoulder Bolt	1
21	S28065	Spring, Main E.P.O.	1
22	H09010	Hub, Outer E.P.O.	1
23	B07325	Bearing, I-Glide	4
24	P06020	Pin, Clevis 1/4x1-1/2 zinc	6
25	W01205	Washer Flat SAE 1/4	18
26	P06060	Pin, clip	24
27	S02905A	Scissor Assembly, Aluminum	6
28	P06015	Pin, Clevis 1/4x1-1/4 zinc	18
29	B11324	Bolt Hx head 1/4-20x1	6
30	N04523	Nut, Hex Nylock 1/4-20	6
31	B07260	Bearing, Thrust E.P.O.	1
32	N04111	Nut, Acme E.P.O	1
33	W01345	Washer, 3/8" Body	1
34	C06170	Cap, Hub	1



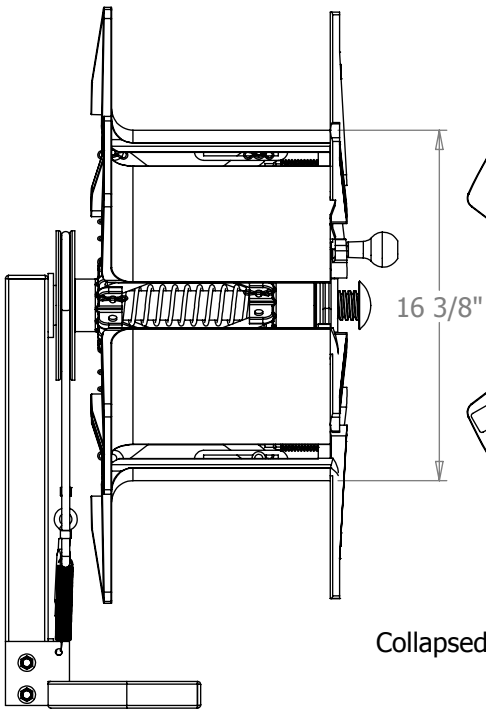
HOGG & DAVIS
 PO BOX 405, 3800 EAGLE LOOP
 ODELL, OR 97044 (541) 354-1001

PROPRIETARY AND CONFIDENTIAL
 THE INFORMATION CONTAINED IN THIS
 DRAWING IS THE SOLE PROPERTY OF
 HOGG&DAVIS. ANY REPRODUCTION
 IN PART OR AS A WHOLE WITHOUT THE
 WRITTEN PERMISSION OF
 HOGG&DAVIS IS PROHIBITED.

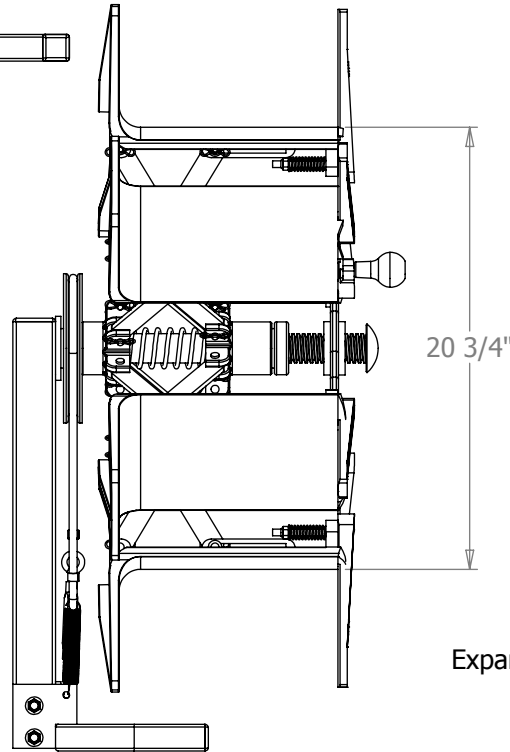
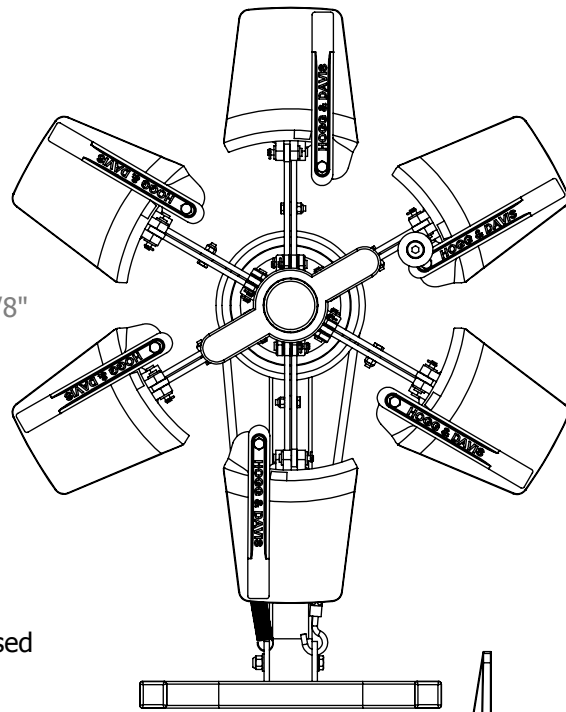
DRAWN
 NAME sm
 DATE 3/1/2012
 SHEET 1 OF 2

TITLE: Expandable Payout Reel

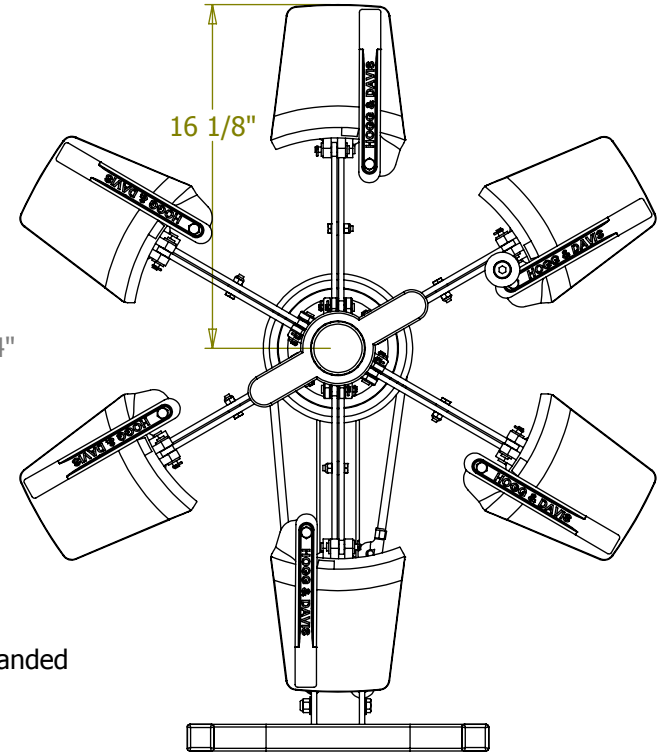
Part #: **81620-3**



Collapsed



Expanded



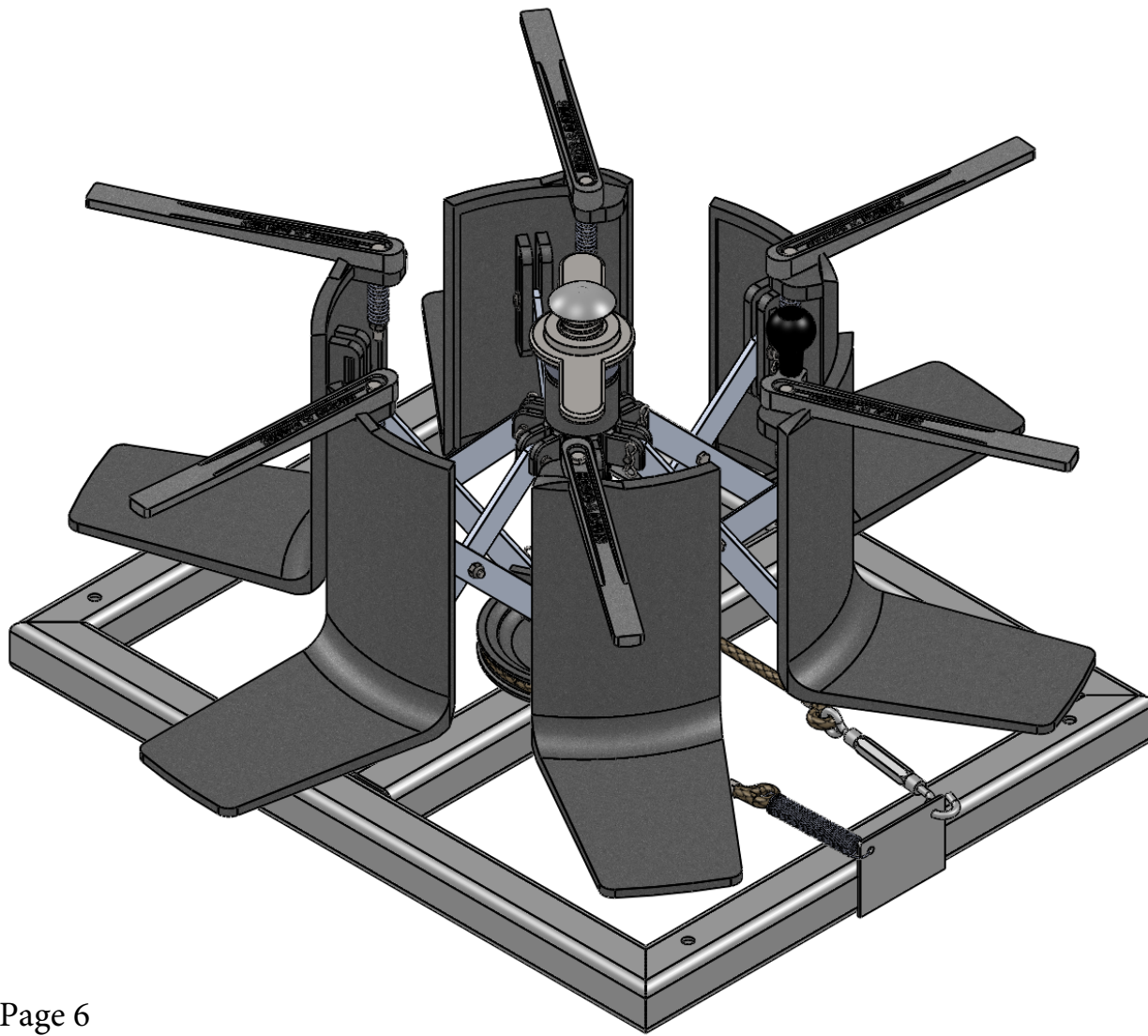
HOGG & DAVIS
 PO BOX 405, 3800 EAGLE LOOP
 ODELL, OR 97044 (541) 354-1001

PROPRIETARY AND CONFIDENTIAL
 THE INFORMATION CONTAINED IN THIS
 DRAWING IS THE SOLE PROPERTY OF
 HOGG&DAVIS. ANY REPRODUCTION
 IN PART OR AS A WHOLE WITHOUT THE
 WRITTEN PERMISSION OF
 HOGG&DAVIS IS PROHIBITED.

DRAWN	
NAME	sm
DATE	3/1/2012
SHEET 2 OF 2	

TITLE: Views

Part #: **81620-3**



ITEM NO.	PART NUMBER	DESCRIPTION	QTY.
1	B26001	Base, 81620-5 E.P.O.	1
2	W01589	Washer, Thrust Nylon	1
3	H09010	Hub, Outer E.P.O.	1
4	B07325	Bearing, I-Glide	4
5	H09015	Hub, Inner E.P.O.	1
6	S28065	Spring, Main E.P.O.	1
7	P19025	Pully, Brake E.P.O.	1
8	S02906A	Scissor Assembly	6
9	B11324	Bolt Hx head 1/4-20x1	6
10	W01205	Washer Flat SAE 1/4	18
11	N04523	Nut, Hex Nylock 1/4-20	6
12	S15045	Shoe, 10 x 10 E.P.O.	6
13	P06015	Pin, Clevis 1/4x1-1/4 zinc	18
14	P06060	Pin, clip	24
15	P06020	Pin, Clevis 1/4x1-1/2 zinc	6
16	P14065	Post 11" E.P.O.	5
17	B11334	Bolt Hx head 5/16-18x3-1/2	6
18	S28075	Spring, Jackstand / E.P.O.	6
19	W01235	Washer Flat SAE 5/16	6
20	N04533	Nut Hex Nylock 5/16-18	6
21	P14070	Post w/Ear 11"	1
22	K03010	Knob, Swiveling E.P.O.	1
23	B11165	5/8" x 2-3/4" Shoulder Bolt	1
24	B07260	Bearing, Thrust E.P.O.	1
25	W01345	Washer, 3/8" Body	1
26	B16961A	Brake, Horizontal EPO	1
27	C06170	Cap, Hub	1
28	N04111	Nut, Acme E.P.O.	1



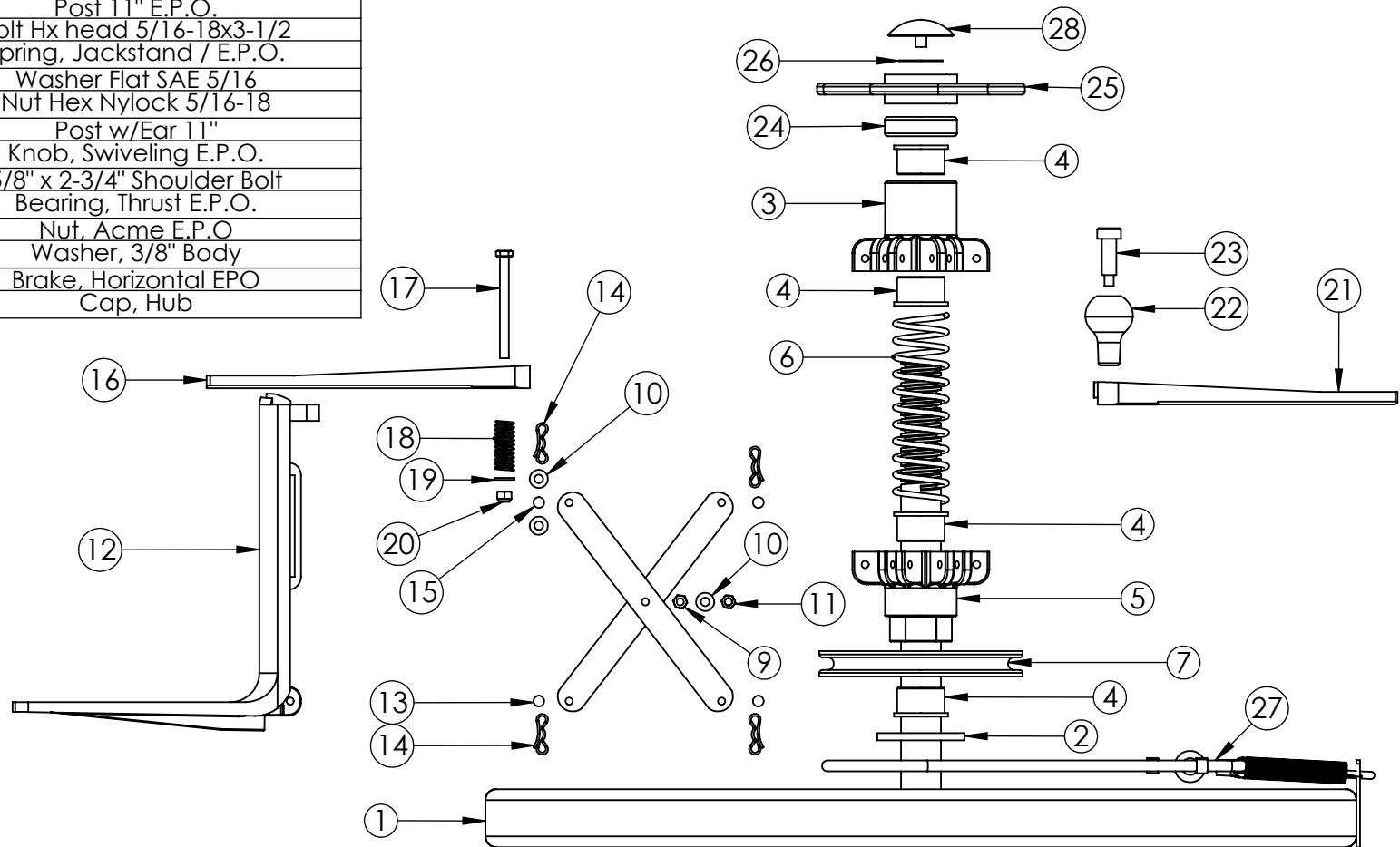
HOGG & DAVIS
 PO BOX 405, 3800 EAGLE LOOP
 ODELL, OR 97044 (541) 354-1001

PROPRIETARY AND CONFIDENTIAL
 THE INFORMATION CONTAINED IN THIS
 DRAWING IS THE SOLE PROPERTY OF
 HOGG&DAVIS. ANY REPRODUCTION
 IN PART OR AS A WHOLE WITHOUT THE
 WRITTEN PERMISSION OF
 HOGG&DAVIS IS PROHIBITED.

DRAWN	
NAME	sm
DATE	2/28/13
SHEET 1 OF 2	

TITLE: Expandable Payout Reel, 10 x 10 Horizontal	
Part #: 81620-5	

ITEM	PART NUMBER	DESCRIPTION
1	B26001	Base, 81620-5 E.P.O.
2	W01589	Washer, Thrust Nylon
3	H09010	Hub, Outer E.P.O.
4	B07325	Bearing, I-Glide
5	H09015	Hub, Inner E.P.O.
6	S28065	Spring, Main E.P.O.
7	P19025	Pully, Brake E.P.O.
8	S02906A	Scissor Assembly
9	B11324	Bolt Hx head 1/4-20x1
10	W01205	Washer Flat SAE 1/4
11	N04523	Nut, Hex Nylock 1/4-20
12	S15045	Shoe, 10 x 10 E.P.O.
13	P06015	Pin, Clevis 1/4x1-1/4 zinc
14	P06060	Pin, clip
15	P06020	Pin, Clevis 1/4x1-1/2 zinc
16	P14065	Post 11" E.P.O.
17	B11334	Bolt Hx head 5/16-18x3-1/2
18	S28075	Spring, Jackstand / E.P.O.
19	W01235	Washer Flat SAE 5/16
20	N04533	Nut Hex Nylock 5/16-18
21	P14070	Post w/Ear 11"
22	K03010	Knob, Swiveling E.P.O.
23	B11165	5/8" x 2-3/4" Shoulder Bolt
24	B07260	Bearing, Thrust E.P.O.
25	N04111	Nut, Acme E.P.O.
26	W01345	Washer, 3/8" Body
27	B16961A	Brake, Horizontal EPO
28	C06170	Cap, Hub



HOGG & DAVIS
 PO BOX 405, 3800 EAGLE LOOP
 ODELL, OR 97044 (541) 354-1001

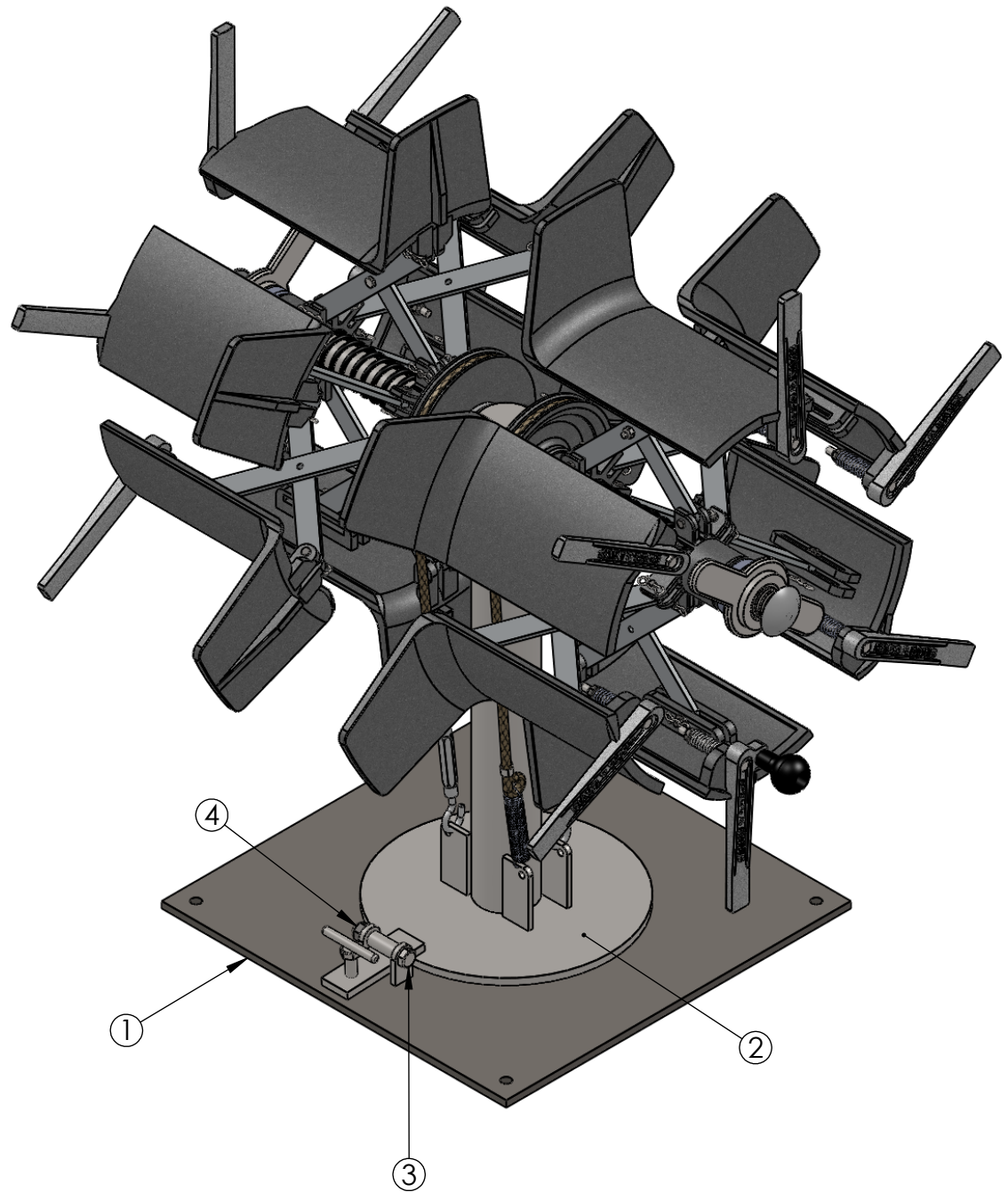
PROPRIETARY AND CONFIDENTIAL
 THE INFORMATION CONTAINED IN THIS
 DRAWING IS THE SOLE PROPERTY OF
 HOGG&DAVIS. ANY REPRODUCTION
 IN PART OR AS A WHOLE WITHOUT THE
 WRITTEN PERMISSION OF
 HOGG&DAVIS IS PROHIBITED.

DRAWN
 NAME sm
 DATE 2/28/13
 SHEET 2 OF 2

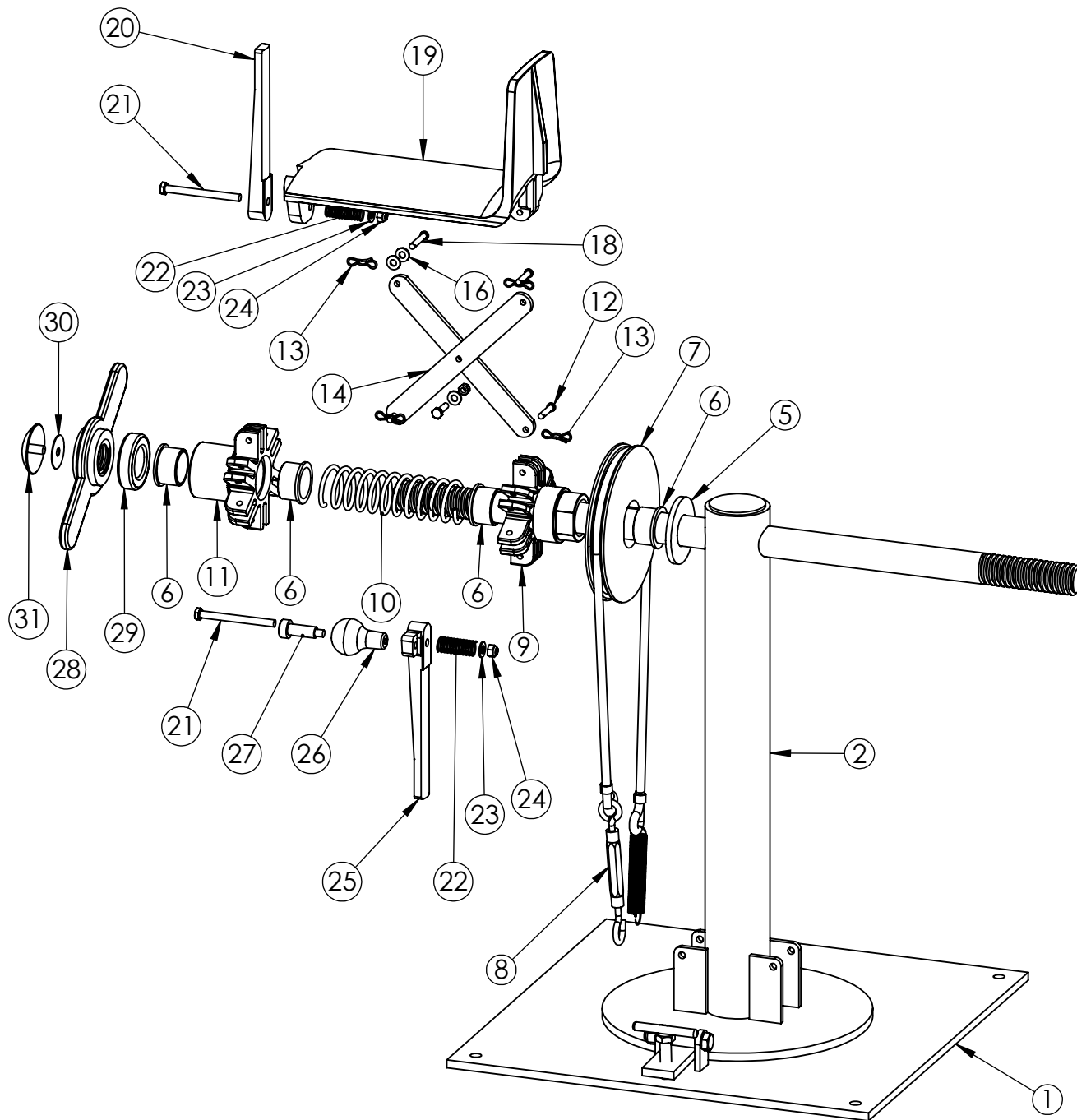
TITLE: Breakdown

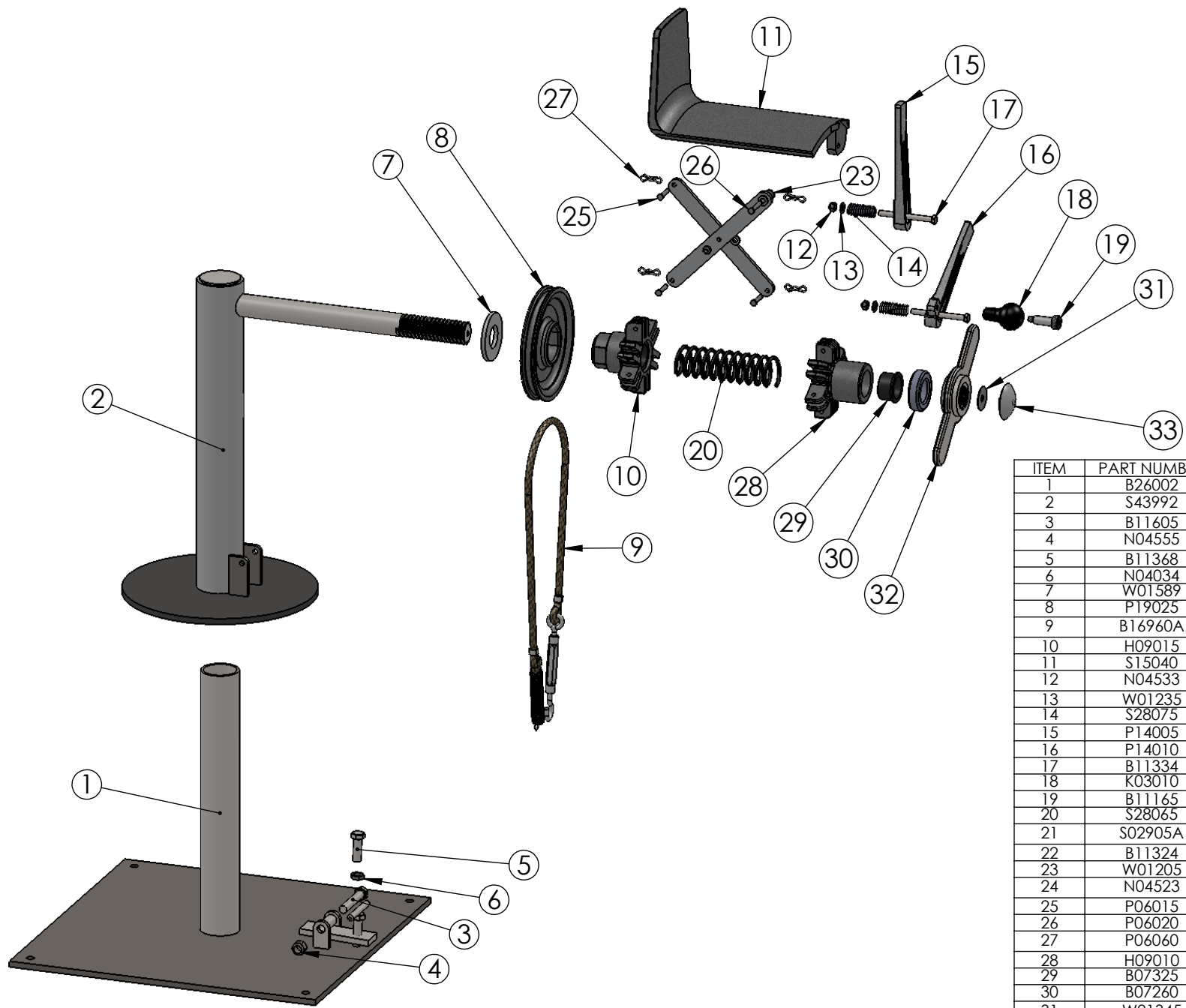
Part #: **81620-5**

ITEM	PART NUMBER	DESCRIPTION	QTY.
1	B26002	Base, Swivel 81620-6/7	1
2	S43991	Shaft & Post, 81620-6	1
3	B11135	Bolt Hx head 1/2-13x2-3/4	1
4	N04555	Nut, Hex Nylock 1/2-13	1
5	W01589	Washer, Thrust Nylon	2
6	B07325	Bearing, I-Glide	8
7	P19025	Pully, Brake E.P.O.	2
8	B16962A	Brake, Rope EPO	2
9	H09015	Hub, Inner E.P.O.	2
10	S28065	Spring, Main E.P.O.	2
11	H09010	Hub, Outer E.P.O.	2
12	P06015	Pin, Clevis 1/4x1-1/4 zinc	36
13	P06060	Pin, clip	48
14	S02905A	Scissor Assembly, Aluminum	12
15	B11324	Bolt Hx head 1/4-20x1	2
16	W01205	Washer Flat SAE 1/4	26
17	N04523	Nut, Hex Nylock 1/4-20	2
18	P06020	Pin, Clevis 1/4x1-1/2 zinc	12
19	S15040	Shoe, 8 x 10 E.P.O.	12
20	P14005	Post, 8" E.P.O.	10
21	B11334	Bolt Hx head 5/16-18x3-1/2	12
22	S28075	Spring, Jackstand / E.P.O.	12
23	W01235	Washer Flat SAE 5/16	12
24	N04533	Nut Hex Nylock 5/16-18	12
25	P14010	Post, 8" with Ear E.P.O.	2
26	K03010	Knob, Swiveling E.P.O.	2
27	B11165	5/8" x 2-3/4" Shoulder Bolt	2
28	N04111	Nut, Acme E.P.O	2
29	B07260	Bearing, Thrust E.P.O.	2
30	W01345	Washer, 3/8" Body	2
31	C06170	Cap, Hub	2



ITEM	PART NUMBER	DESCRIPTION
1	B26002	Base, Swivel 81620-6/7
2	S43991	Shaft & Post, 81620-6
3	B11135	Bolt Hx head 1/2-13x2-3/4
4	N04555	Nut, Hex Nylock 1/2-13
5	W01589	Washer, Thrust Nylon
6	B07325	Bearing, I-Glide
7	P19025	Pully, Brake E.P.O.
8	B16962A	Brake, Rope EPO
9	H09015	Hub, Inner E.P.O.
10	S28065	Spring, Main E.P.O.
11	H09010	Hub, Outer E.P.O.
12	P06015	Pin, Clevis 1/4x1-1/4 zinc
13	P06060	Pin, clip
14	S02905A	Scissor Assembly, Aluminum
15	B11324	Bolt Hx head 1/4-20x1
16	W01205	Washer Flat SAE 1/4
17	N04523	Nut, Hex Nylock 1/4-20
18	P06020	Pin, Clevis 1/4x1-1/2 zinc
19	S15040	Shoe, 8 x 10 E.P.O.
20	P14005	Post, 8" E.P.O.
21	B11334	Bolt Hx head 5/16-18x3-1/2
22	S28075	Spring, Jackstand / E.P.O.
23	W01235	Washer Flat SAE 5/16
24	N04533	Nut Hex Nylock 5/16-18
25	P14010	Post, 8" with Ear E.P.O.
26	K03010	Knob, Swiveling E.P.O.
27	B11165	5/8" x 2-3/4" Shoulder Bolt
28	N04111	Nut, Acme E.P.O.
29	B07260	Bearing, Thrust E.P.O.
30	W01345	Washer, 3/8" Body
31	C06170	Cap, Hub





ITEM	PART NUMBER	DESCRIPTION
1	B26002	Base, Swivel 81620-6/7
2	S43992	Shaft, Swivel Assy/ 81620-7
3	B11605	Bolt Hx head 1/2-13x3
4	N04555	Nut, Hex Nylock 1/2-13
5	B11368	Bolt Hx head 1/2-13x1-1/2
6	N04034	Nut Hex Jam 1/2-13
7	W01589	Washer, Thrust Nylon
8	P19025	Pully, Brake E.P.O.
9	B16960A	Brake, Rope E.P.O
10	H09015	Hub, Inner E.P.O.
11	S15040	Shoe, 8 x 10 E.P.O.
12	N04533	Nut Hex Nylock 5/16-18
13	W01235	Washer Flat SAE 5/16
14	S28075	Spring, Jackstand / E.P.O.
15	P14005	Post, 8" E.P.O.
16	P14010	Post, 8" with Ear E.P.O.
17	B11334	Bolt Hx head 5/16-18x3-1/2
18	K03010	Knob, Swiveling E.P.O.
19	B11165	5/8" x 2-3/4" Shoulder Bolt
20	S28065	Spring, Main E.P.O.
21	S02905A	Scissor Assembly, Aluminum
22	B11324	Bolt Hx head 1/4-20x1
23	W01205	Washer Flat SAE 1/4
24	N04523	Nut, Hex Nylock 1/4-20
25	P06015	Pin, Clevis 1/4x1-1/4 zinc
26	P06020	Pin, Clevis 1/4x1-1/2 zinc
27	P06060	Pin, clip
28	H09010	Hub, Outer E.P.O.
29	B07325	Bearing, I-Glide
30	B07260	Bearing, Thrust E.P.O.
31	W01345	Washer, 3/8" Body
32	N04111	Nut, Acme E.P.O
33	C06170	Cap, Hub



HOGG & DAVIS
 PO BOX 405, 3800 EAGLE LOOP
 ODELL, OR 97044 (541) 354-1001

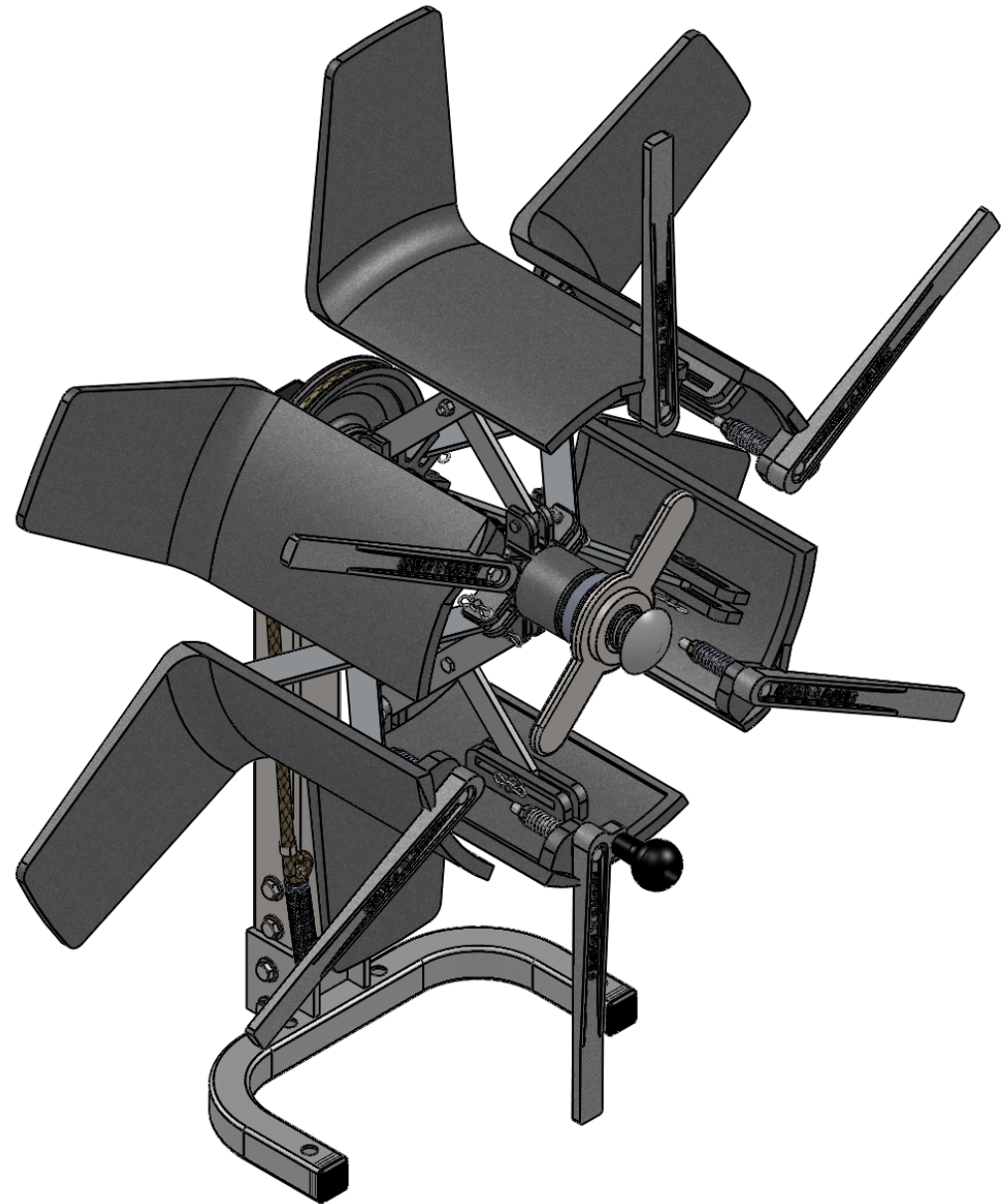
PROPRIETARY AND CONFIDENTIAL
 THE INFORMATION CONTAINED IN THIS
 DRAWING IS THE SOLE PROPERTY OF
 HOGG&DAVIS. ANY REPRODUCTION
 IN PART OR AS A WHOLE WITHOUT THE
 WRITTEN PERMISSION OF
 HOGG&DAVIS IS PROHIBITED.

DRAWN	
NAME	sm
DATE	5/3/2011
SHEET 1 OF 1	

TITLE: Single Swivel EPO

Part #: **81620-7**

ITEM	PART NUMBER	DESCRIPTION	QTY.
1	B26000	Base, Expandable Payout Reel	1
2	C06030	Cap, Plug 1-1/4 x .095 wall	2
3	E03001	Extension, Post E.P.O.	1
4	B11015	Bolt Hx head 3/8-16x3	4
5	W01002	Washer Flat SAE 3/8	8
6	N04545	Nut Hex Nylock 3/8-16	4
7	S43996	Shaft & Post, Standard E.P.O.	1
8	C06036	Cap, Plug 2 x .095 wall	1
9	W01589	Washer, Thrust Nylon	1
10	P19025	Pully, Brake E.P.O.	1
11	B16962A	Brake, Rope EPO	1
12	B07325	Bearing, I-Glide	4
13	H09015	Hub, Inner E.P.O.	1
14	S28065	Spring, Main E.P.O.	1
15	H09010	Hub, Outer E.P.O.	1
16	B07260	Bearing, Thrust E.P.O.	1
17	N04111	Nut, Acme E.P.O	1
18	W01345	Washer, 3/8" Body	1
19	C06170	Cap, Hub	1
20	S02905A	Scissor Assembly, Aluminum	6
21	B11324	Bolt Hx head 1/4-20x1	6
22	W01205	Washer Flat SAE 1/4	18
23	N04523	Nut, Hex Nylock 1/4-20	6
24	P06015	Pin, Clevis 1/4x1-1/4 zinc	18
25	P06060	Pin, clip	24
26	P06020	Pin, Clevis 1/4x1-1/2 zinc	6
27	S15045	Shoe, 10 x 10 E.P.O.	6
28	P14065	Post 11" E.P.O.	5
29	B11334	Bolt Hx head 5/16-18x3-1/2	6
30	S28075	Spring, Jackstand / E.P.O.	6
31	W01235	Washer Flat SAE 5/16	6
32	N04533	Nut Hex Nylock 5/16-18	6
33	P14070	Post w/Ear 11"	1
34	K03010	Knob, Swiveling E.P.O.	1
35	B11165	5/8" x 2-3/4" Shoulder Bolt	1



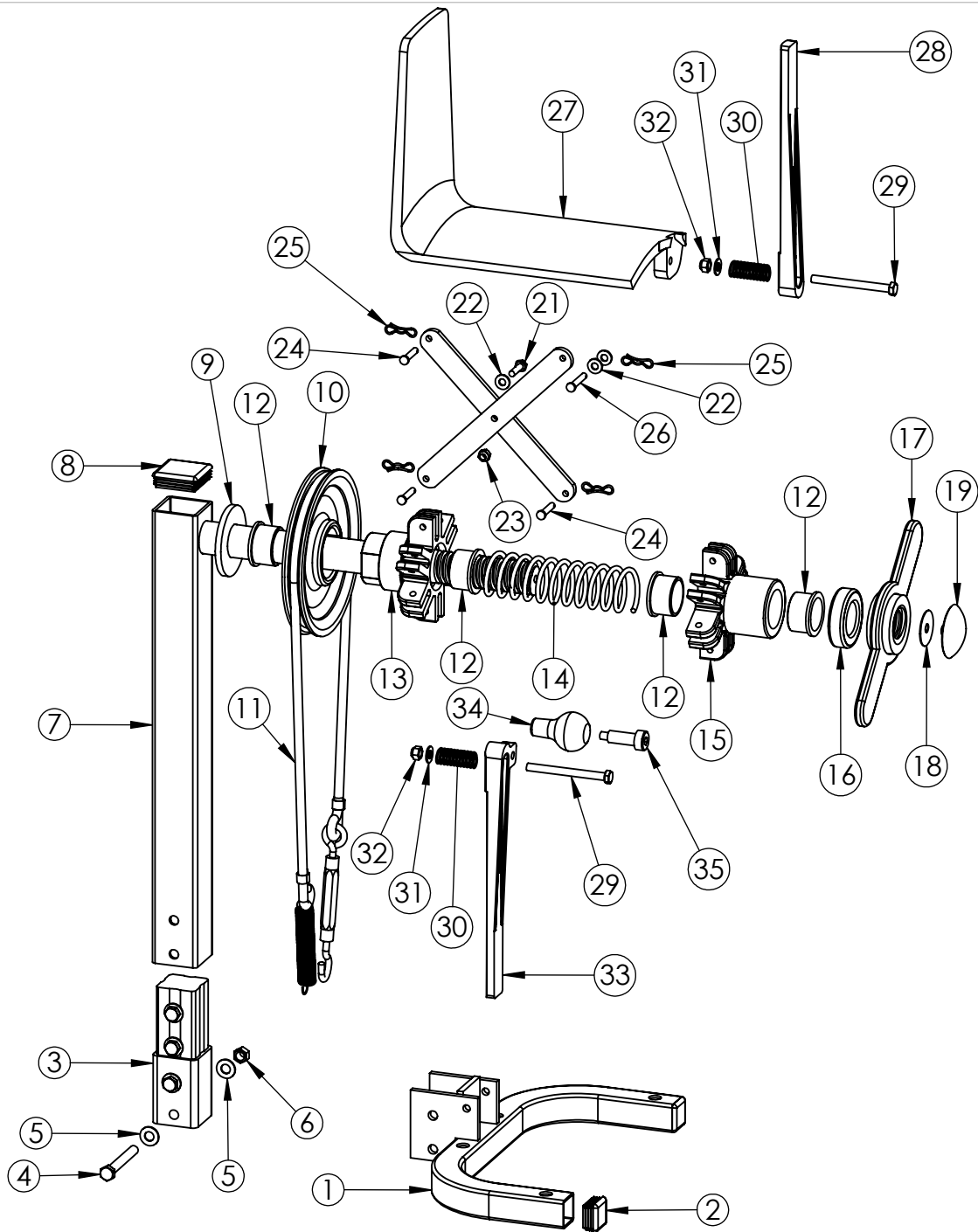
HOGG & DAVIS
 PO BOX 405, 3800 EAGLE LOOP
 ODELL, OR 97044 (541) 354-1001

PROPRIETARY AND CONFIDENTIAL
 THE INFORMATION CONTAINED IN THIS
 DRAWING IS THE SOLE PROPERTY OF
 HOGG&DAVIS. ANY REPRODUCTION
 IN PART OR AS A WHOLE WITHOUT THE
 WRITTEN PERMISSION OF
 HOGG&DAVIS IS PROHIBITED.

DRAWN	
NAME	sm
DATE	3/4/2013
SHEET 1 OF 2	

TITLE: Expandable Payout Reel 10 x10
Part #: 81620-8

ITEM	PART NUMBER	DESCRIPTION
1	B26000	Base, Expandable Payout Reel
2	C06030	Cap, Plug 1-1/4 x .095 wall
3	E03001	Extension, Post E.P.O.
4	B11015	Bolt Hx head 3/8-16x3
5	W01002	Washer Flat SAE 3/8
6	N04545	Nut Hex Nylock 3/8-16
7	S43996	Shaft & Post, Standard E.P.O.
8	C06036	Cap, Plug 2 x .095 wall
9	W01589	Washer, Thrust Nylon
10	P19025	Pully, Brake E.P.O.
11	BT6962A	Brake, Rope EPO
12	B07325	Bearing, I-Glide
13	H09015	Hub, Inner E.P.O.
14	S28065	Spring, Main E.P.O.
15	H09010	Hub, Outer E.P.O.
16	B07260	Bearing, Thrust E.P.O.
17	N04111	Nut, Acme E.P.O
18	W01345	Washer, 3/8" Body
19	C06170	Cap, Hub
20	S02905A	Scissor Assembly, Aluminum
21	B11324	Bolt Hx head 1/4-20x1
22	W01205	Washer Flat SAE 1/4
23	N04523	Nut, Hex Nylock 1/4-20
24	P06015	Pin, Clevis 1/4x1-1/4 zinc
25	P06060	Pin, clip
26	P06020	Pin, Clevis 1/4x1-1/2 zinc
27	S15045	Shoe, 10 x 10 E.P.O.
28	P14065	Post 11" E.P.O.
29	B11334	Bolt Hx head 5/16-18x3-1/2
30	S28075	Spring, Jackstand / E.P.O.
31	W01235	Washer Flat SAE 5/16
32	N04533	Nut Hex Nylock 5/16-18
33	P14070	Post w/Ear 11"
34	K03010	Knob, Swiveling E.P.O.
35	B11165	5/8" x 2-3/4" Shoulder Bolt



HOGG & DAVIS
 PO BOX 405, 3800 EAGLE LOOP
 ODELL, OR 97044 (541) 354-1001

PROPRIETARY AND CONFIDENTIAL
 THE INFORMATION CONTAINED IN THIS
 DRAWING IS THE SOLE PROPERTY OF
 HOGG&DAVIS. ANY REPRODUCTION
 IN PART OR AS A WHOLE WITHOUT THE
 WRITTEN PERMISSION OF
 HOGG&DAVIS IS PROHIBITED.

DRAWN	
NAME	sm
DATE	3/4/2013
SHEET 2 OF 2	

TITLE: Breakdown
 Part #: **81620-8**