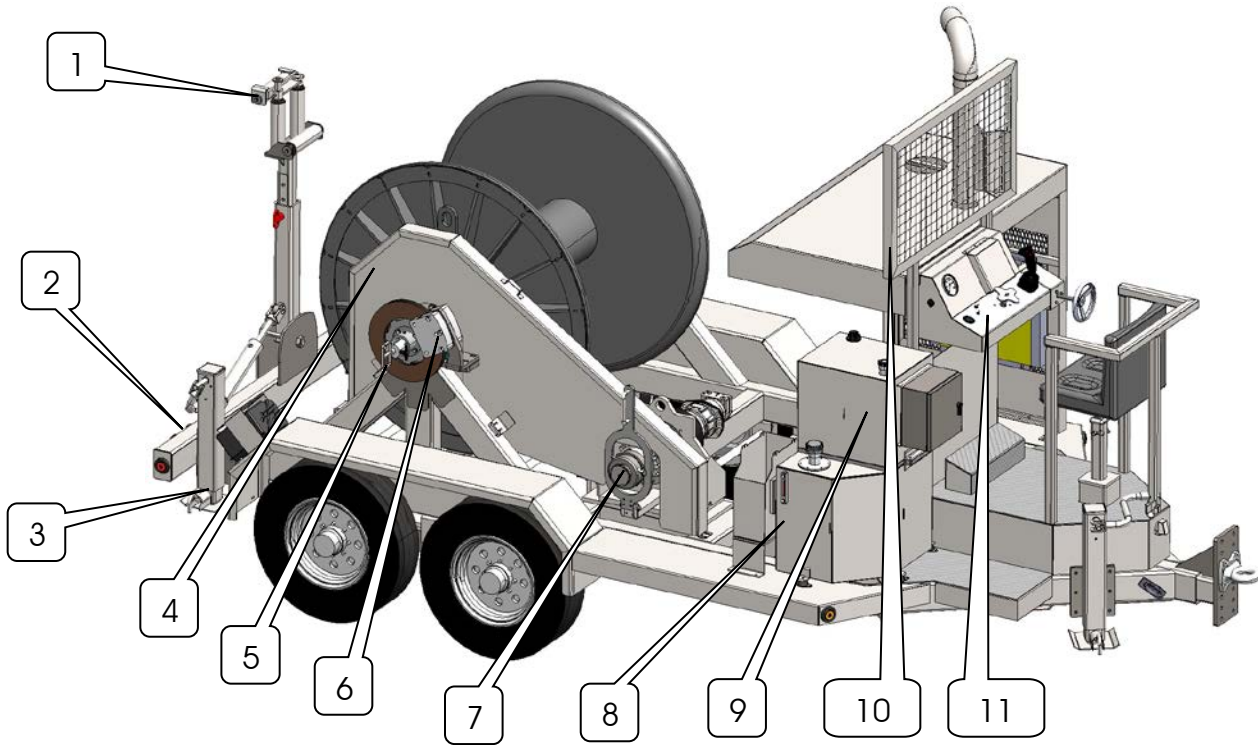


ODP60 XS **6,000 Lb Drum Puller**



Operating Instructions

All persons operating this machine must read and understand this manual as well as the operating, danger, and warning decals placed on the machine. Failure to read and understand these items subjects the operator and others to **DEATH or SERIOUS INJURY**.

Operators shall make themselves familiar with the placement of the following operating and safety features of the machine.

ODP60 XS 6,000 Lb Drum Puller

Puller - Main Unit

1. Level Wind. Unit is equipped with a manual level wind system. Operator must actuate the level wind with the switch at the operator's console.
2. Grounding Lugs. There are three lugs located on the unit. Two under the tongue of the trailer and one at the rear.
3. Jack stands. Three manual jack stands for stabilizing and leveling trailer. Two are located at the rear and one on the drawbar.
4. Chain Guard. **DO NOT OPERATE PULLER WHEN THE CHAIN GUARD IS NOT INSTALLED.**
5. Reel Carriage Pin. This pin must be installed during operation. Removing this pin allows for the reel to be removed. **DO NOT OPERATE THE UNIT WITH THE PIN REMOVED AND NO LOCKING PIN. REEL WILL FALL OUT CAUSING DAMAGE AND POSSIBLE INJURY.**
6. Overspin Brake System. This system is used when the reel is disengaged from the primary drive system. **DO NOT EXCEED 600 LBS PRESSURE. DO NOT APPLY BRAKE WHEN OPERATING THE PULLER.**
7. Drive Dog Clutch. This is the primary drive. Engaging the drive allows for pulling and tensioning. Disengaging the drive allows for free wheeling of the reel. **DO NOT OPERATE THE PRIMARY DRIVE WITHOUT THE LOCKING PIN IN PLACE.**
8. Hydraulic Tank: ISO 46 or equivalent.
9. Fuel Tank. Diesel Fuel ONLY
10. Operators Screen.
11. Operators Console.



"Rugged Dependability."

© COPYRIGHT 2021 HOGG & DAVIS, INC

