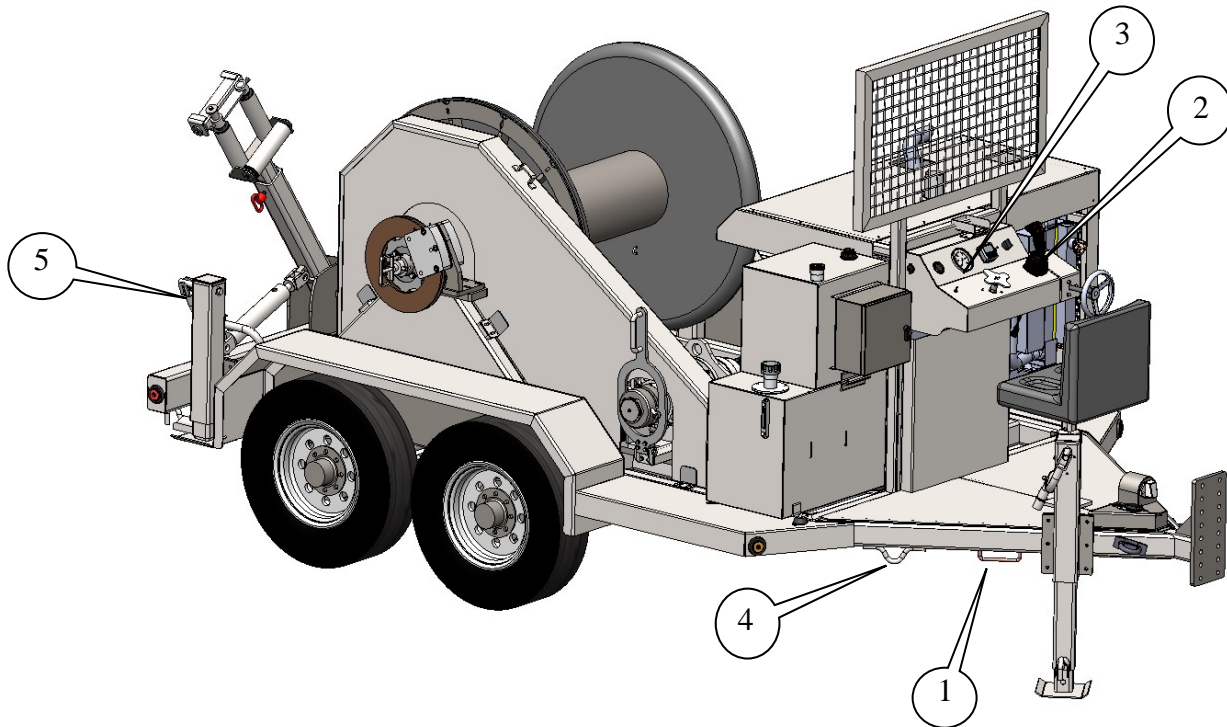


# **ODP 40 XS 4,000 Lb Drum Puller**



## ***Operating Instructions***

All persons operating this machine must read and understand this manual as well as the operating, danger, and warning decals placed on the machine. Failure to read and understand these items subjects the operator and others to DEATH or SERIOUS INJURY.

***Operators shall make themselves familiar with the placement of the following operating and safety features of the machine.***

1. Grounding Lugs and their placement on Machine
2. Take Up / Pay-Out Control
3. Engine Controls and Gauges
4. Tie Down Locations
5. Manual Jack stands (standard)

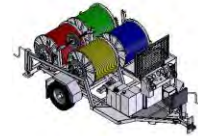
# **ODP 40 XS 4,000 Lb Drum Puller**

## **Setup on the Job**

### **Setup of the unit**

#### **Position of unit**

Position the trailer with the centerline of the trailers inline with the pull. Place the unit at a minimum of two times the height of the first block.



#### **Jack Stands / Outriggers**

Actuate the rear outriggers to stabilize the trailer. Attempt to level the trailer as much as possible. The outriggers have the ability to raise the tires from the ground, but as a rule they should be used to stabilize the load across all contact points on the ground, i.e. Jack stands, tires, front tongue jack stand.

#### **Tie Down/ Brake/ Chock**

Chock all wheels and set brakes (if applicable). It should be noted that a fully loaded trailer may exceed the tension desired during the pull. As the pull progresses, the weight of the trailer may increase or decrease, therefore proper securing procedures should be followed during operation. This unit is equipped with tie – down eyes for staking to the ground and it is recommended that the unit stay secured to the tow vehicle whenever possible.