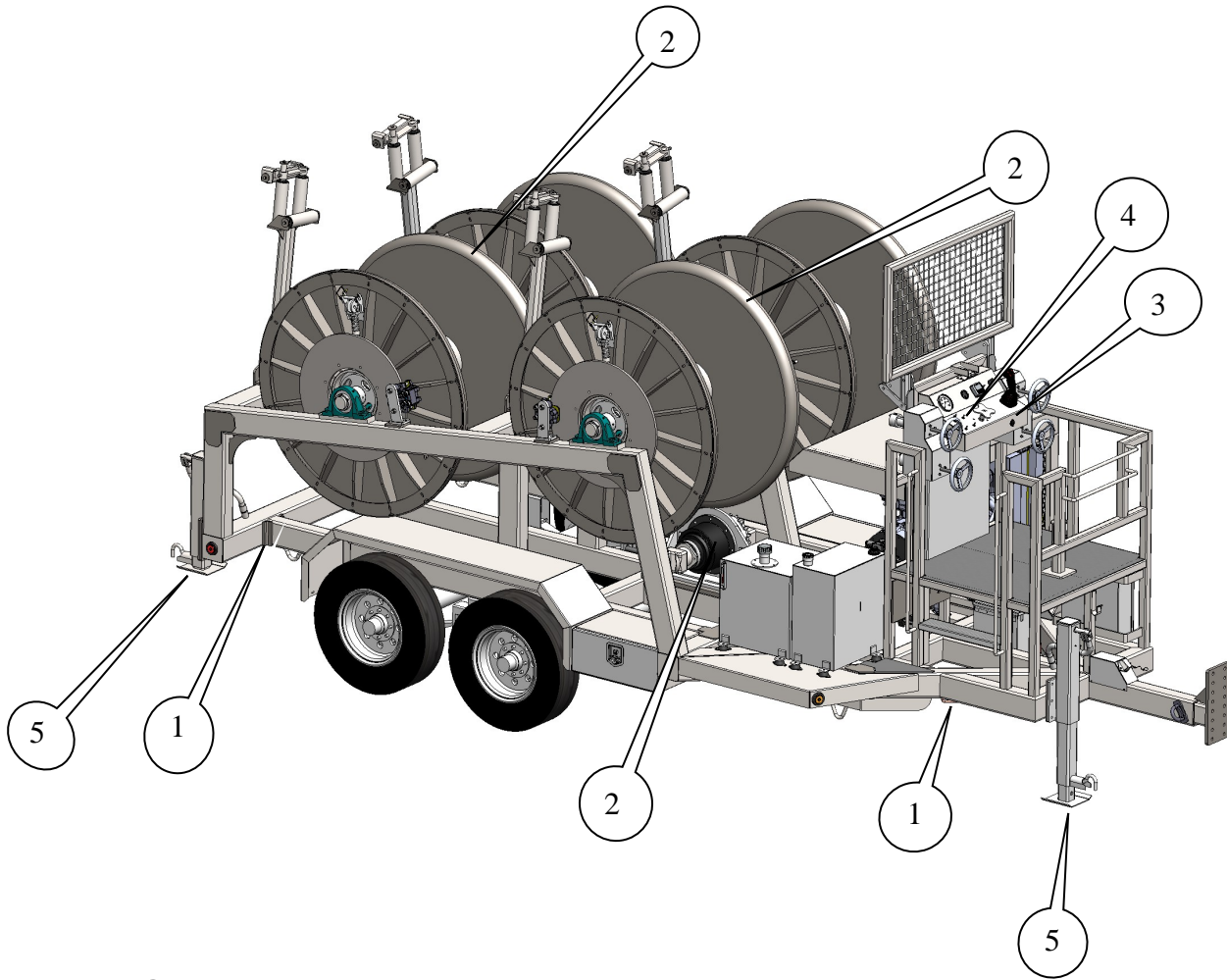


ODP40-4 HRC XS
High Rope Capacity
4,000 Lb Four Drum Puller



Operating Instructions

All persons operating this machine must read and understand this manual as well as the operating, danger, and warning decals placed on the machine. Failure to read and understand these items subjects the operator and others to DEATH or SERIOUS INJURY.

**ODP40-4 HRC XS
High Rope Capacity
4,000 Lb Four Drum Puller**

Operators shall make themselves familiar with the placement of the following operating and safety features of the machine.

1. Grounding Lugs and their placement on Machine
2. Drive Chains and Sprockets
3. Take Up / Pay-Out / Control
4. Engine Controls and Gauges
5. Manual Jack stands (standard)
6. Hydraulic Jack stands (optional)
7. Level wind
8. Tie Down Locations Under frame

