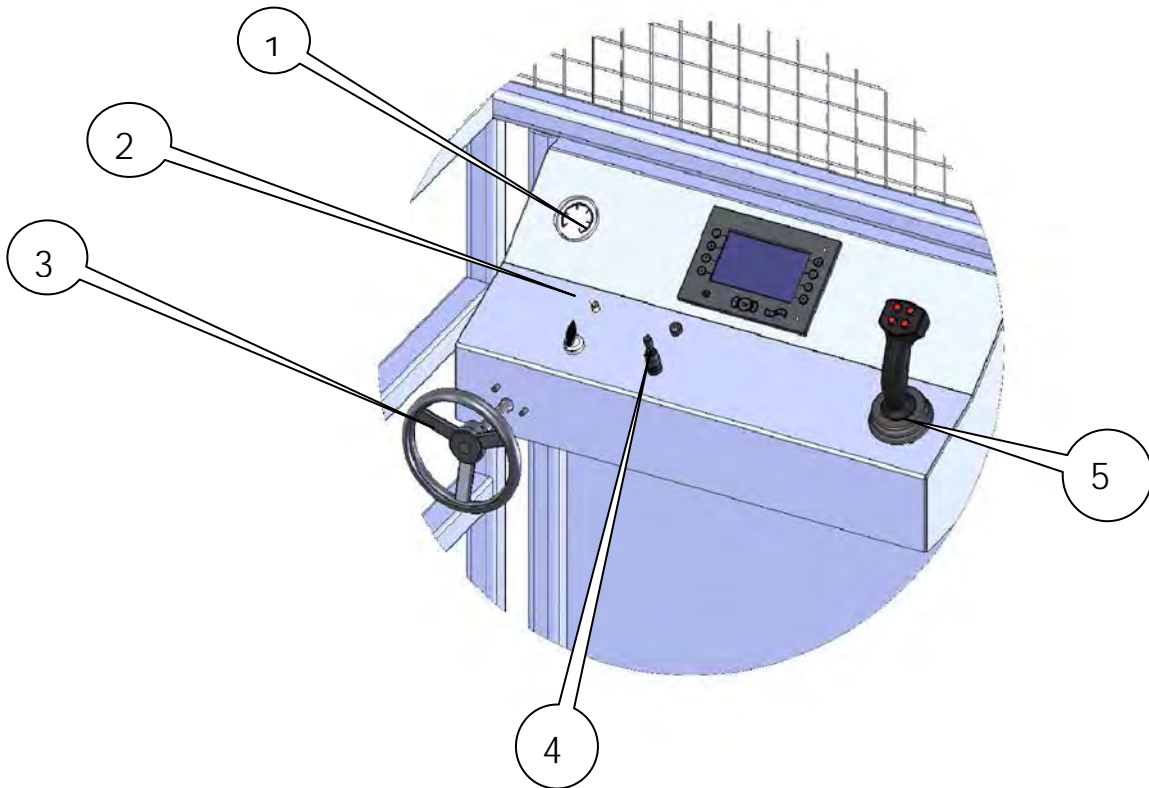


ODP 100 PPS 10,000 Lb Drum Puller

NEVER OPERATE THE UNIT WITHOUT THE PINS ENGAGED.

7. Drive Chain Tensioner

Control Panel

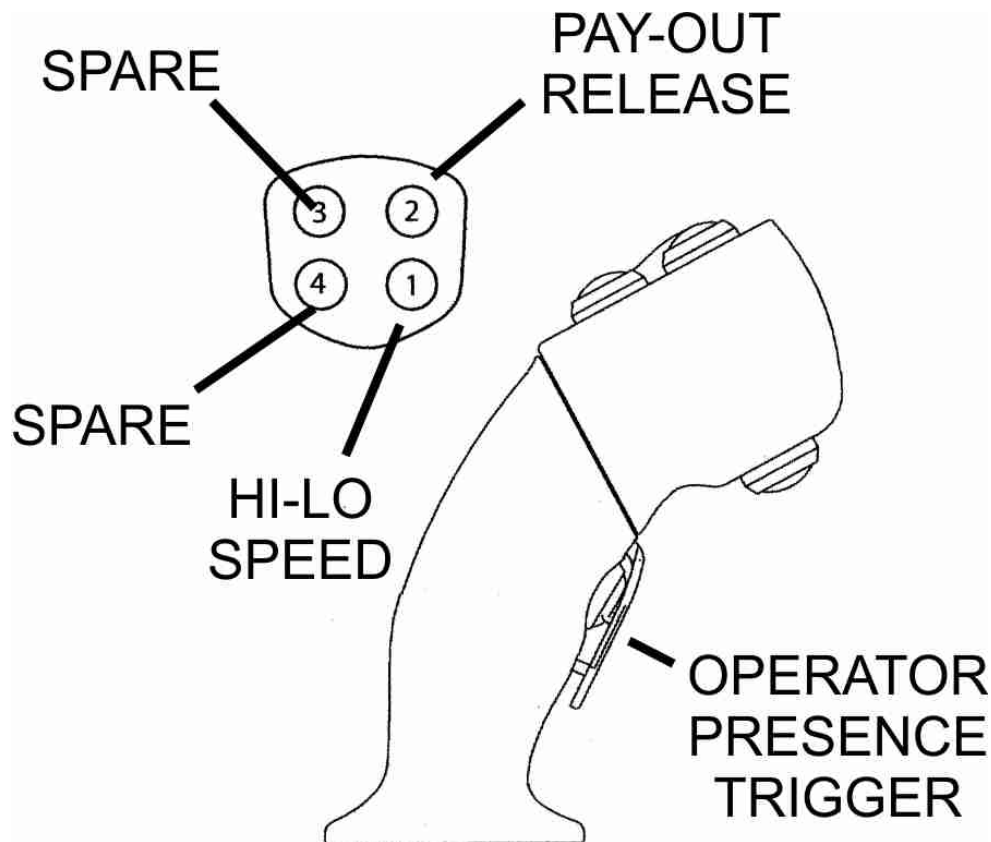


1. Over spin Brake Pressure. This gauge displays the pressure at which the Over spin Brake is operating. **DO NOT EXCEED 600 PSI.**
2. Sensor Heat. In cold conditions, it may be necessary to heat the pulling sensor for a few minutes prior to operation

ODP 100 PPS 10,000 Lb Drum Puller

3. Over spin Brake. This controls the over spin brake and at what pressure you apply. Clockwise to apply and counter clockwise to release. **DO NOT OPERATE PULLER WITH BRAKE APPLIED.** Damage to the brake caliper and rotor may occur as well as providing false pressure readings.
4. Level wind control.
5. Joystick. This joystick is a friction style control. It has a positive stop but releasing control will NOT return control to neutral. In order to stop pull, operator must return joystick to neutral.

Joystick Functions



ODP 100 PPS 10,000 Lb Drum Puller

- Pay Out Release. This button must be pressed while attempting to pay out under power. By pressing the Operator Presence Trigger while pressing the Pay Out Release, moving the Joystick towards the Pay Out position will allow the reel to pay out under power. Once the reel begins to pay out, these buttons may be released. The Pay Out Lockout will automatically reset when the Joystick is returned to neutral.
- Hi-Lo Speed. Pressing this button during take up or payout will manually shift the pull speed. Although the computer is still in control of the maximum line speed and line pull and it will not be exceeded.
- Operator Presence Trigger. This must be pressed during the beginning of all Joystick functions. Once the unit is working, it may be released. The trigger will reset when the Joystick is returned to neutral.

Warning: These functions are present to protect the operator and the crews on the ground. If any of these are not functioning properly, contact vendor immediately. These are not to be circumvented in any way. Creating shortcuts to control machines of this nature can cause SERIOUS INJURY or DEATH to those operating this machine and those that are working with it.



"Rugged Dependability."

© COPYRIGHT 2013 HOGG & DAVIS, INC

