

LEVELWIND OPERATIONS

Some units are equipped with a Level wind System. This system is hydraulically actuated boom style level wind located at the rear of the trailer (Fig. 9)

There are two switch locations to operate the level wind. They are at the main control panel and the rear control panel located at the curbside fender. Each switch is directional in relation with the travel of the level wind boom. That is, if you push the switch to the right, the boom travels right as you view the level wind. If you push the switch left, the boom travels left. The switches are momentary and as you release them, it comes to a neutral position and the boom stops.

The level wind does not operate automatically. The operator must activate the switch each time the rope or wire is to be moved on the reel. The top roller of the boom carriage is made with a swing away mounting to allow for insertion or removal of the line. By removing the pin located in the boom, the upper boom section can be extended or retracted as needed. **DO NOT OPERATE THE LEVELWIND WITHOUT THE PIN INSTALLED IN THE BOOM SECTIONS. THIS MAY CAUSE THE BOOM TO COME OUT OF THE LOWER SECTION DURING OPERATION.**

The level wind is most suitable for overhead pulls. Its use for underground is greatly restricted due to manhole size and amount of pull required. Do not use the level wind as a "breaker bar" for underground pulls.

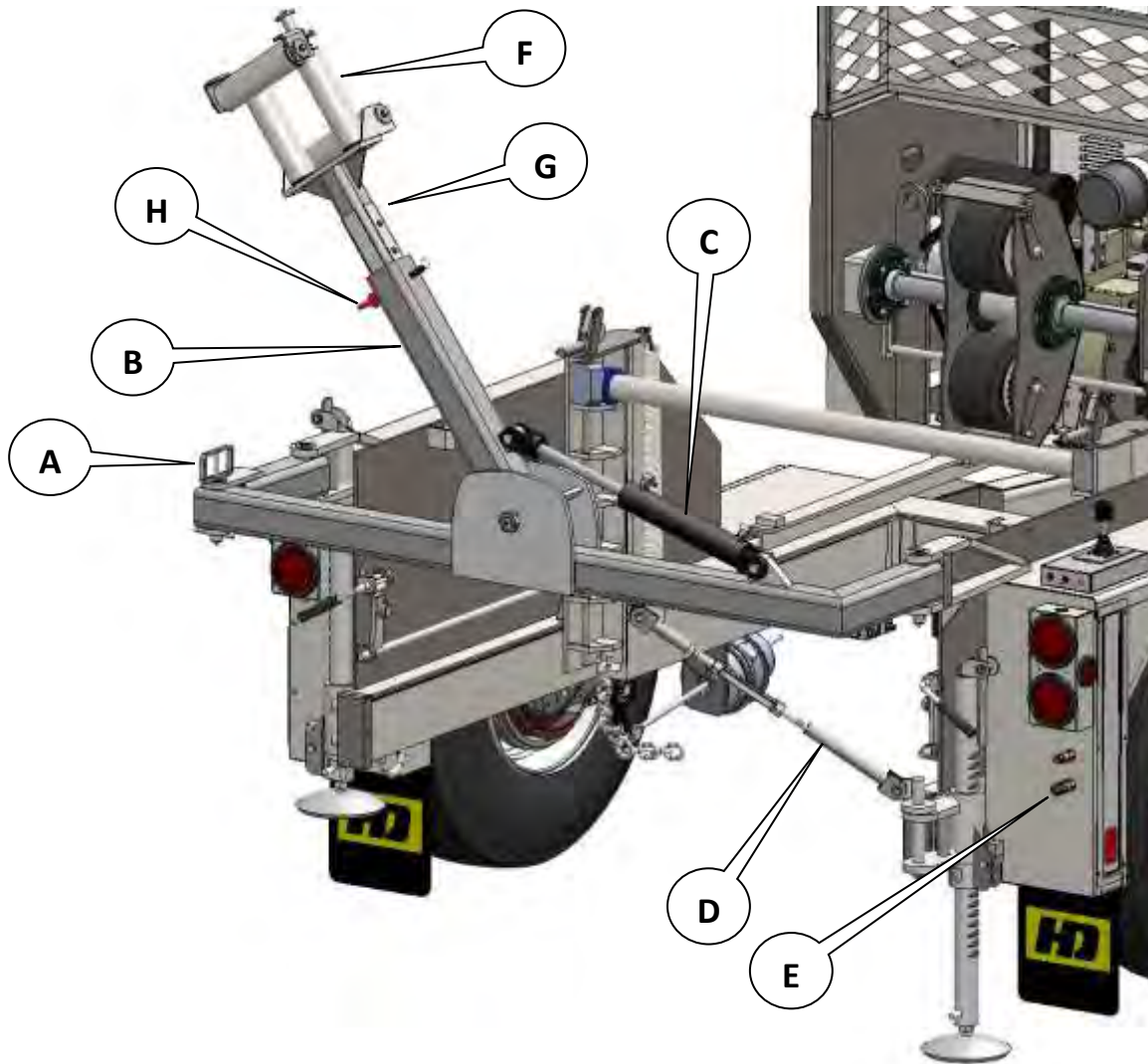
To load with the level wind installed, pull the left hinge pin and swing the assembly out of the hinge and to the right. After the reel is loaded, swing assembly back into hinge and insert the lock pin.

The lower turnbuckle support is provided to allow for easy movement of the level wind arm during loading and unloading of reels. It may be necessary to adjust this turnbuckle if the unit becomes difficult to swing in and out of the hinge.

The unit can be easily removed from the trailer by disconnecting the hoses and pulling the hinge pins.

BE SURE TO USE A FORKLIFT OR OVERHEAD CRANE WHEN REMOVING AND INSTALLING THE LEVELWIND ASSEMBLY.

HYDRA 985



LEVELWIND COMPONENTS

The following are the main components in the LW Assembly

- A. Hinge Pin
- B. Lower Boom Assembly
- C. Level wind cylinder
- D. Turnbuckle
- E. Hydraulic QD fittings
- F. Carriage Assembly
- G. Upper Boom Assembly
- H. Lock pin for Boom Assemblies

