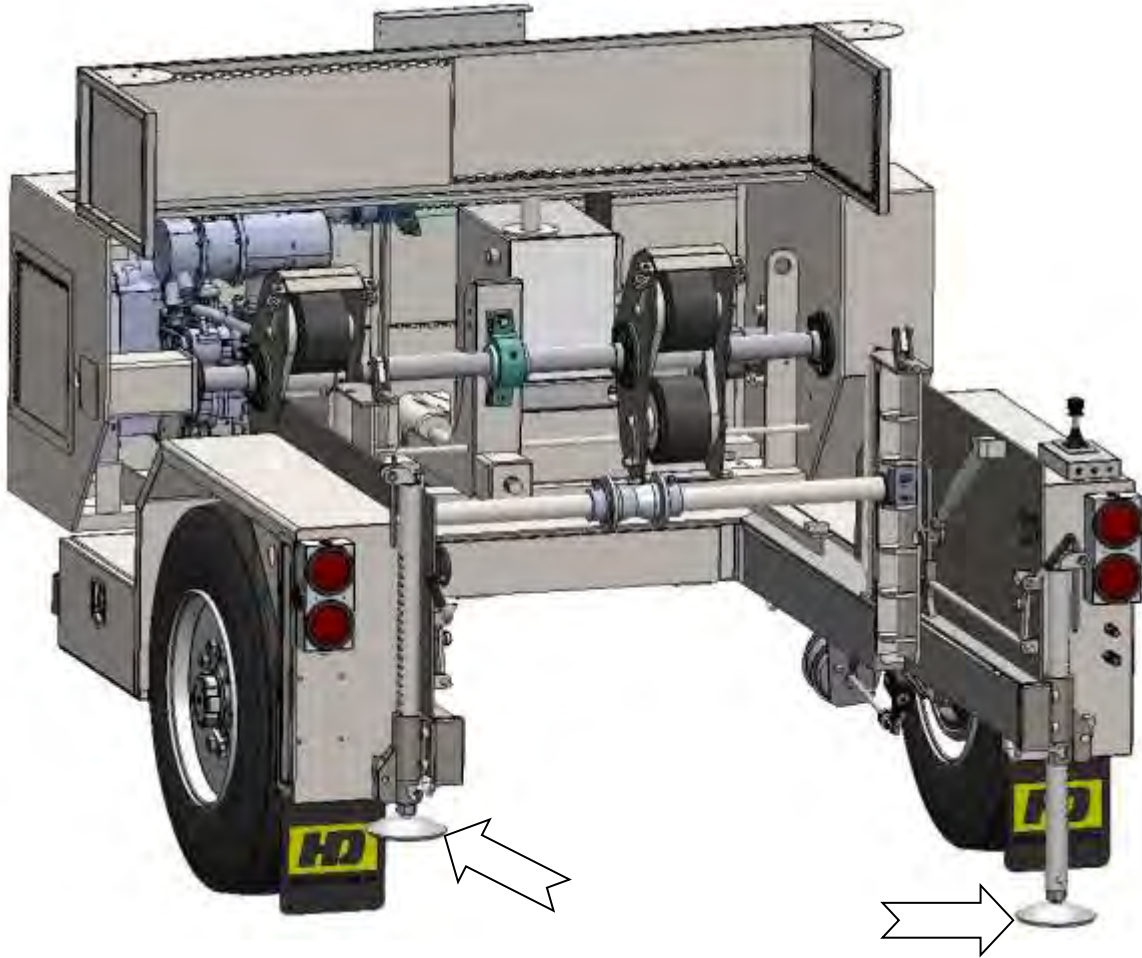


## **HYDRA 985**



### **JACKSTANDS**

***JACKSTANDS ARE STABILIZING LEGS LOCATED AT THE REAR OF THE TRAILER. THE JACKSTANDS SHOULD BE USED DURING ALL PULLING OPERATIONS***

In Fig 5, the jack stand at the left is shown in the stowed or carried position. The jack stand at the right is shown in the down or pulling position. Each jack stand is positioned by the use of a ratchet locking in the notches. To release the jack stands from the carrying position, lift and rotate out of the carrier. To raise, rotate stand one quarter turn to release the ratchet from the notch and raise the stand to lock into the carrier.