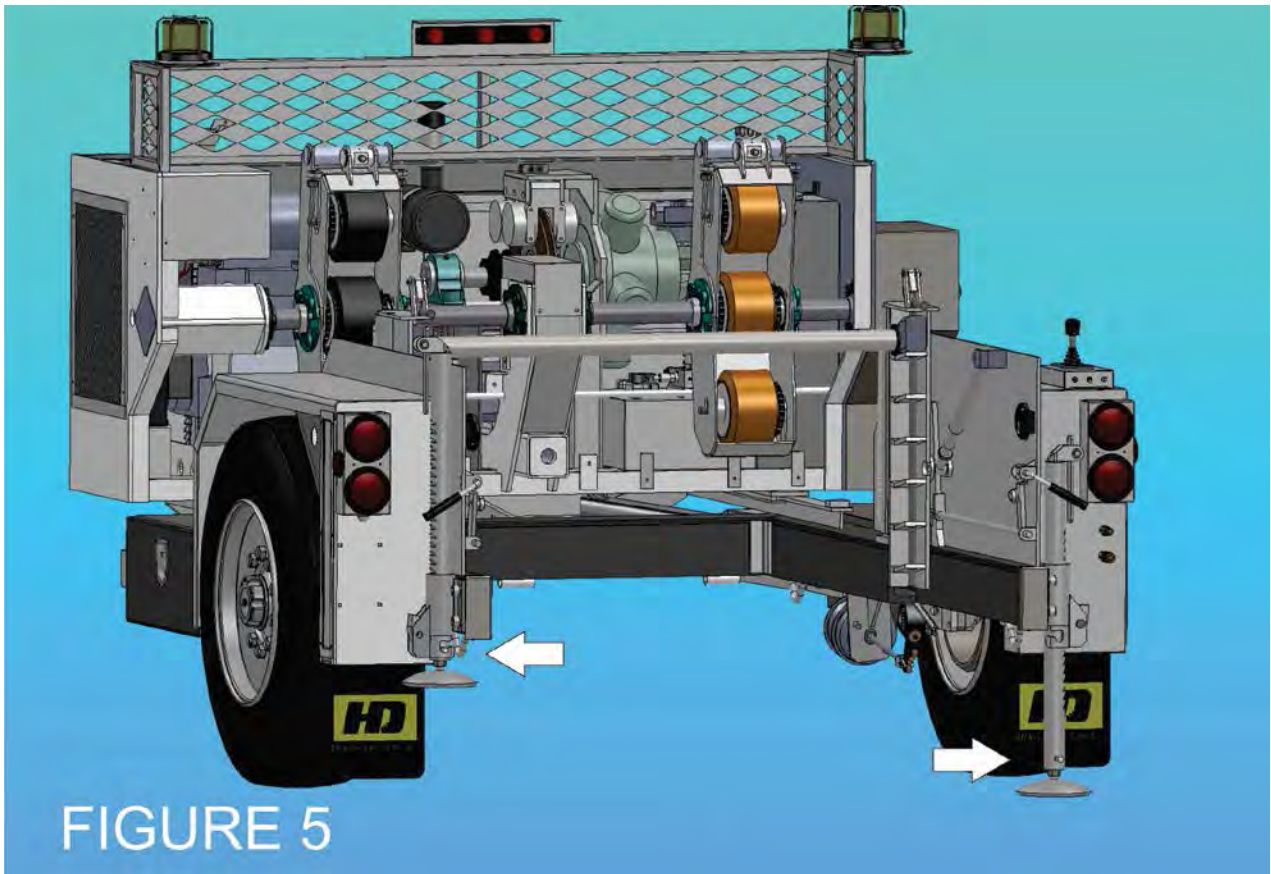


HP6500

JACKSTANDS

JACKSTANDS ARE STABILIZING LEGS LOCATED AT THE REAR OF THE TRAILER. THE JACKSTANDS SHOULD BE USED DURING ALL PULLING OPERATIONS

In Fig 5, the jack stand at the left is shown in the stowed or carried position. The jack stand at the right is shown in the down or pulling position. Each jack stand is positioned by the use of a ratchet locking in the notches. To release the jack stands from the carrying position, lift and rotate out of the carrier. To raise, rotate stand one quarter turn to release the ratchet from the notch and raise the stand to lock into the carrier.



JACKSTAND INSTALLATION

When installing any model Hogg and Davis Jack stand, the following procedure should be Used.

1. Determine If stand Is left or right. Hole in side of stand should line up with holding lug on trailer when teeth of stand engage with spring loaded ratchet pawl.
2. Insert stand into sleeve.
3. Install pad with pad bolt. Screw bolt all the way in, leaving Just loose enough for pad to swivel.
4. Screw stud Into stand until it wedges against the pad bolt. Tighten stud **HARD AGAINST** pad bolt. This **LOCK** bolt and eliminates loss of pad from bolt vibrating loose.

